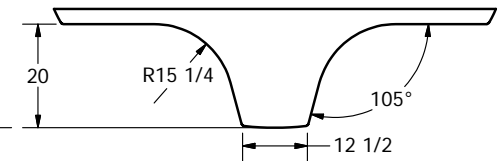
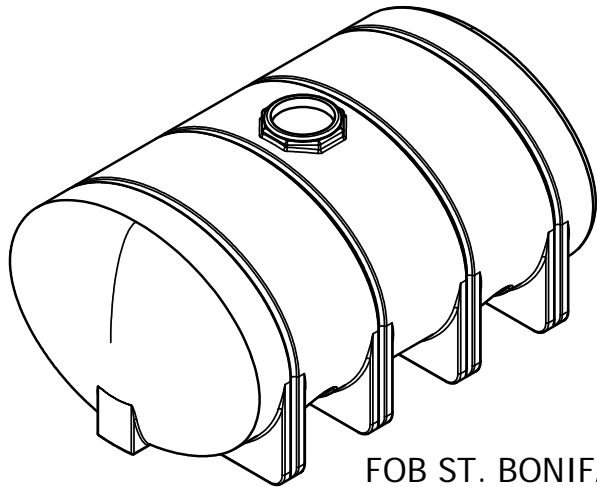



SECTION A-A
SCALE 1 / 24



SECTION B-B
SCALE 1 / 24



FOB ST. BONIFACIUS, MN & FARIFIELD, TX

| | | | | |
|---------------------------|------------|---|--------------|----------|
| DRAWN Jerry Paulson | 10/12/2007 |  NORWESCO, INC., ST. BONIFACIUS, MN | | |
| CHECKED | | TITLE | | |
| QA | | 2635 GALLON ELLIPTICAL TANK | | |
| MFG | | | | |
| APPROVED Jerry Paulson | | SIZE B | DWG NO | REV A |
| | | SCALE: 1/24 | SHEET 1 OF 1 | |