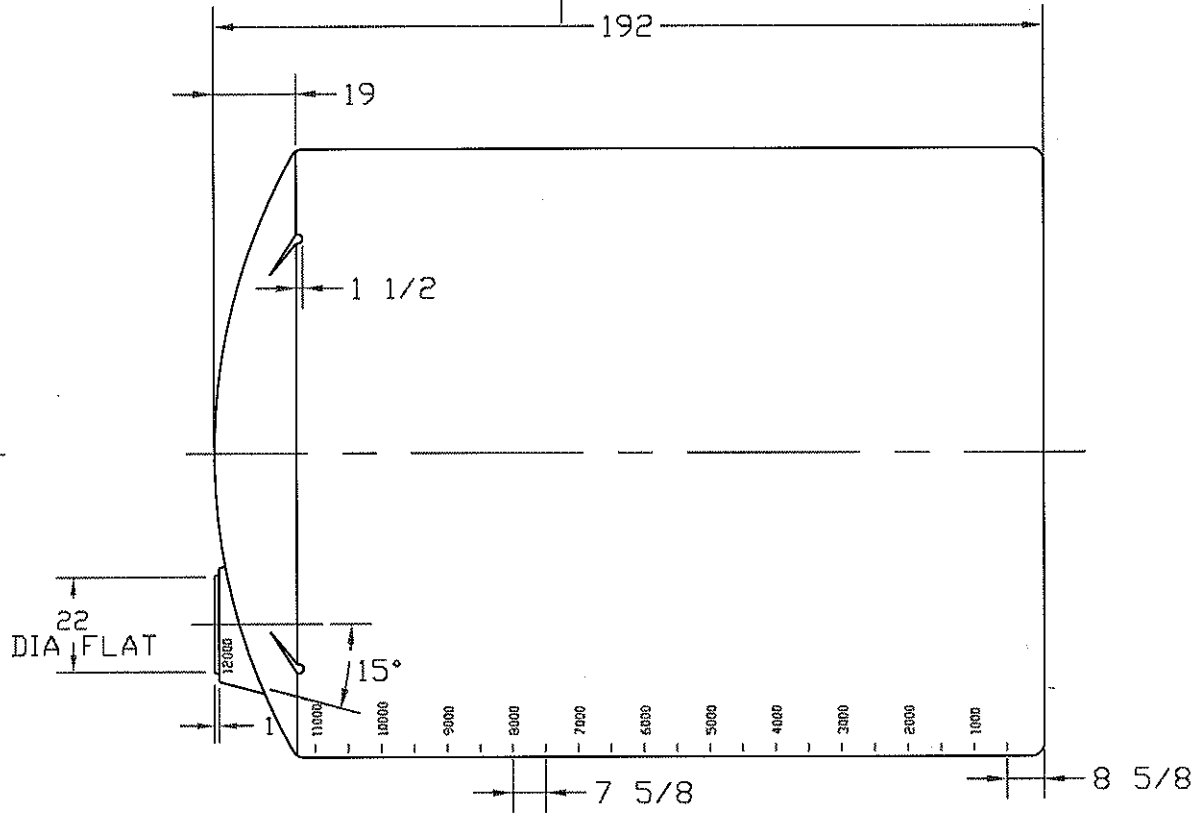
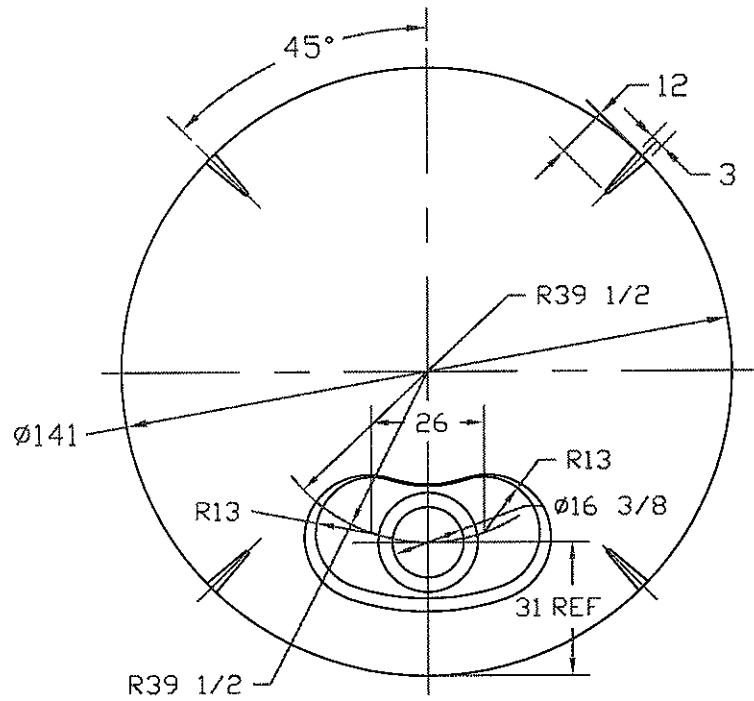


REVISIONS				
ZONE	REV	DESCRIPTION	DATE	APPROVED



JTP 28APR93				
		ST. BONIFACIUS, MN 12000 GALLON VERTICAL TANK HANFORD CA MOLD		
SIZE B	FSCM NO.	DWG NO.	REV	
SCALE 1/32		SHEET		