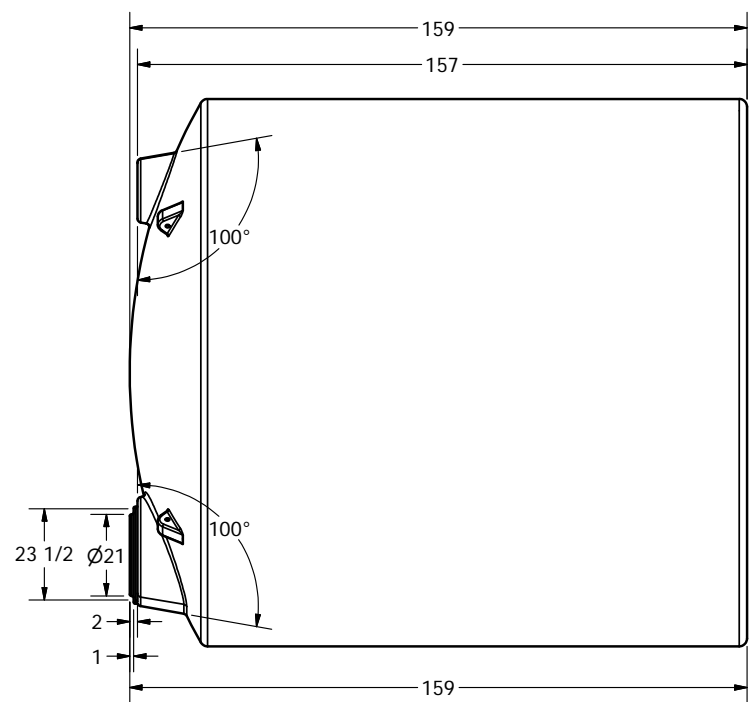



SECTION A-A  
SCALE 1/32



FOB WASHINGTON COURT HOUSE, OH

DRAWN Jerry Paulson	1/28/2010	 NORWESCO, INC., ST. BONIFACIUS, MN		
CHECKED				
QA		10,000 GALLON VERTICAL INDUSTRIAL TANK		
MFG				
APPROVED				
		SIZE B	DWG NO	REV
		SCALE: 1/16		SHEET 1 OF 1