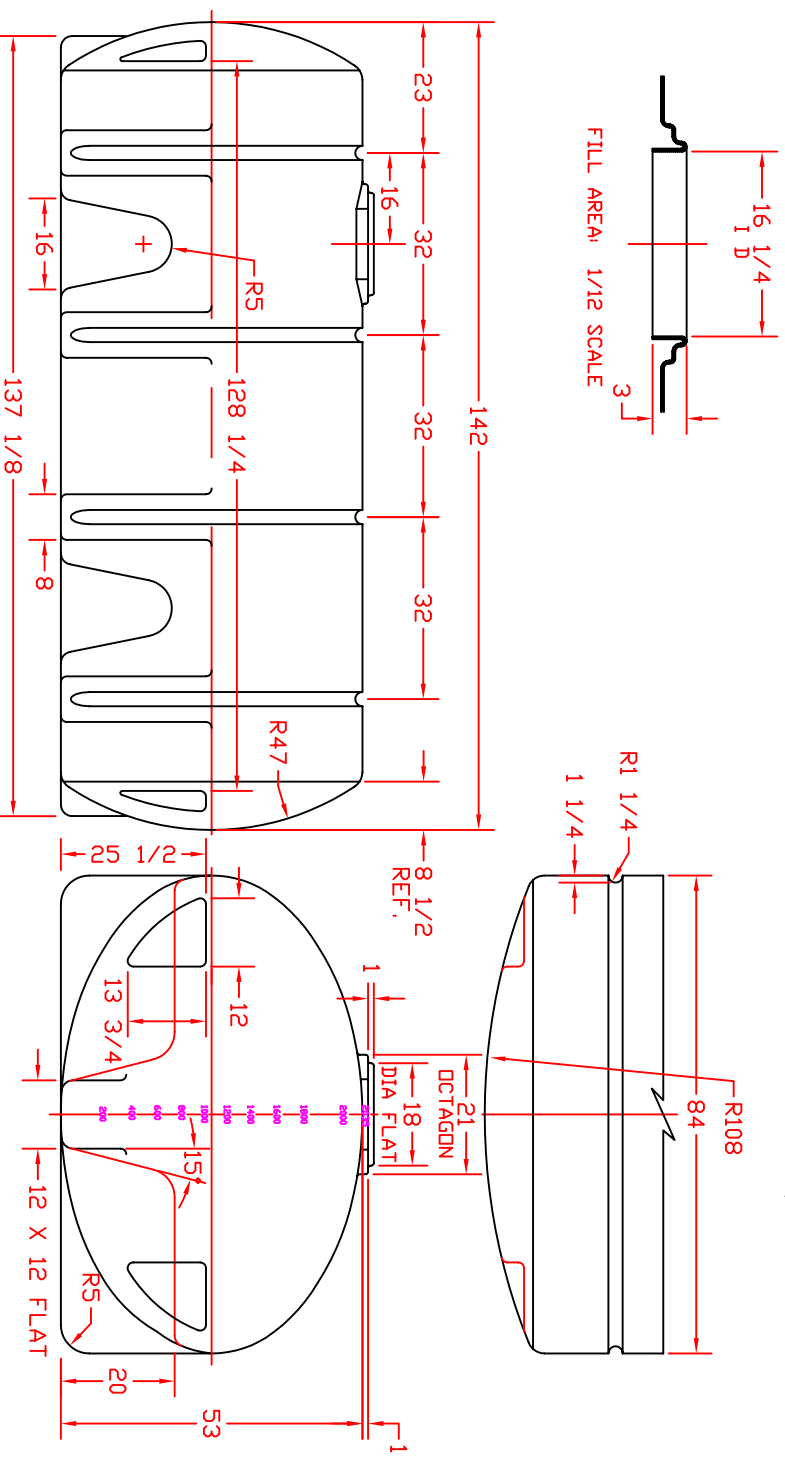


REVISIONS				
ZONE	REV	DESCRIPTION	DATE	APPROVED



FDB GRIFFIN, GA, LANCASTER, OH, TOOELE, UT, & HANFORD, CA

		ST. BONIFACIUS, MN 2035 GALLON ELLIPTICAL TANK	
JTP	20APR94	SCALE	1/24
SIZE	FSCM NO.	DWG NO.	REV
B			
SHEET			