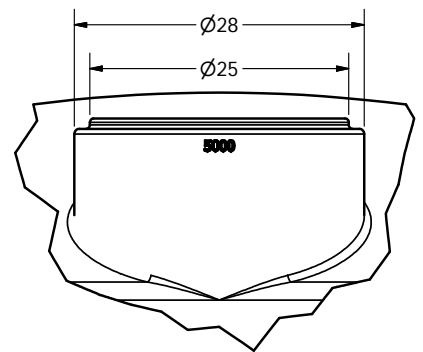
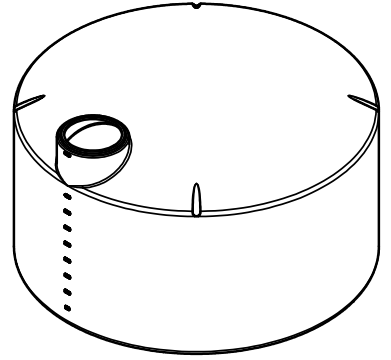



REVISION HISTORY			
REV	DESCRIPTION	DATE	AUTHOR
A	REVISED MANWAY FOR 22 LID	8/10/2009	Jerry Paulson



DETAIL A
SCALE 1/12

DRAWN Jerry Paulson	8/10/2009	 NORWESCO NORWESCO, INC., ST. BONIFACIUS, MN	
CHECKED			
QA		TITLE	
MFG		5000 GALLON X 141 DIAMETER VERTICAL WATER TANK	
APPROVED			
		SIZE B	DWG NO
		SCALE: 1/16	REV A
		SHEET 1 OF 1	