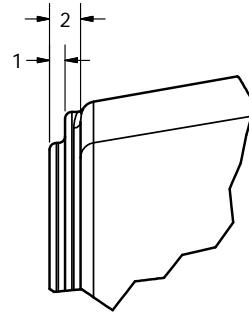
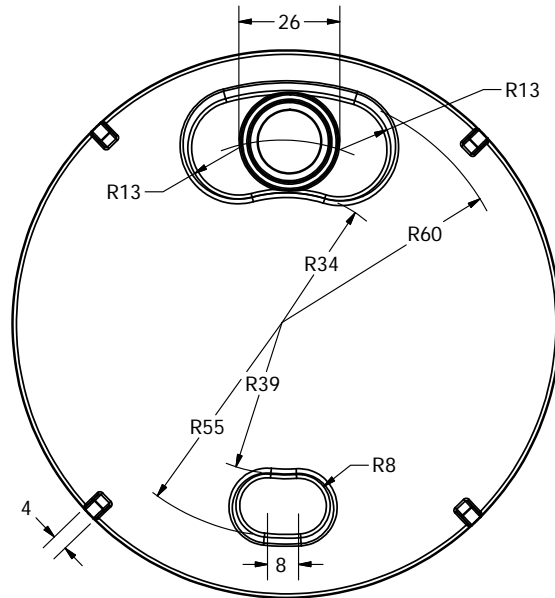
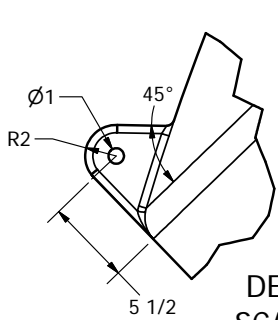
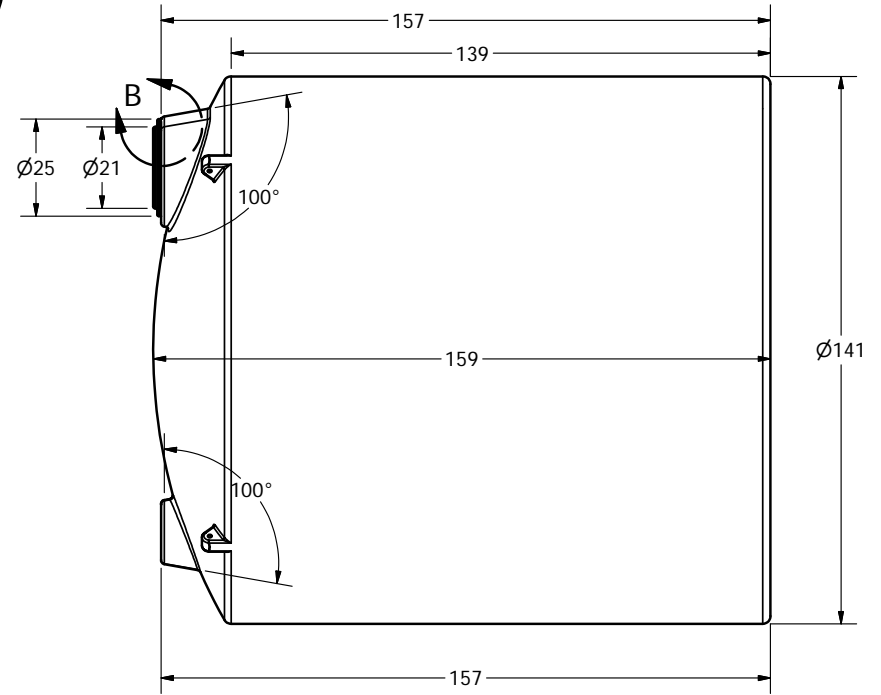


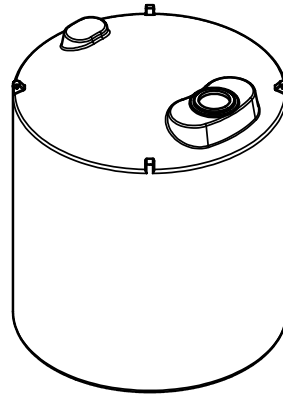
REVISION HISTORY			
REV	AUTHOR	DESCRIPTION	DATE
A	Jerry Paulson	Removed Washington Court House	01/28/2010



DETAIL B
SCALE 1 / 8



DETAIL A
SCALE 1 / 8



FOB FAIRFIELD, TX



DRAWN	Jerry Paulson	10/3/2006
CHECKED		
QA		
MFG		
APPROVED		

NORWESCO
NORWESCO, INC., ST. BONIFACIUS, MN

TITLE
10,000 GALLON VERTICAL INDUSTRIAL TANK

SIZE	DWG NO	REV
B		A

SCALE: 1/32