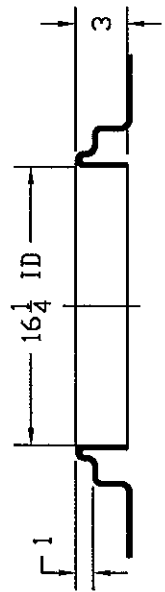
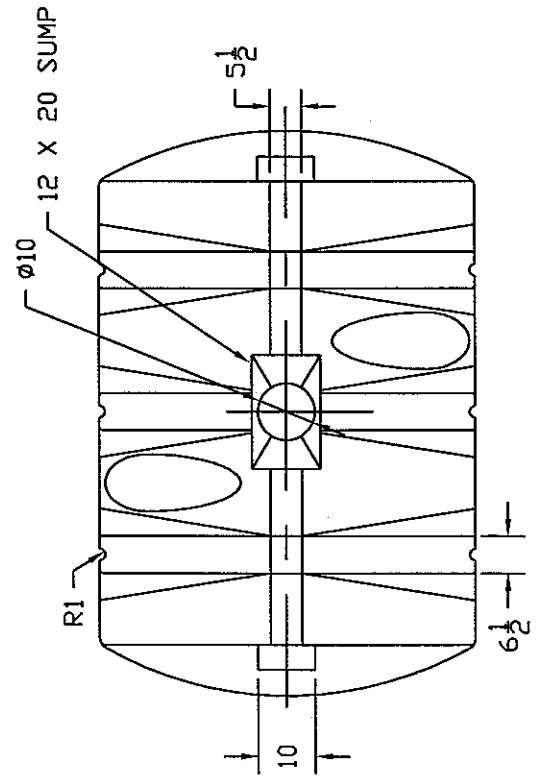
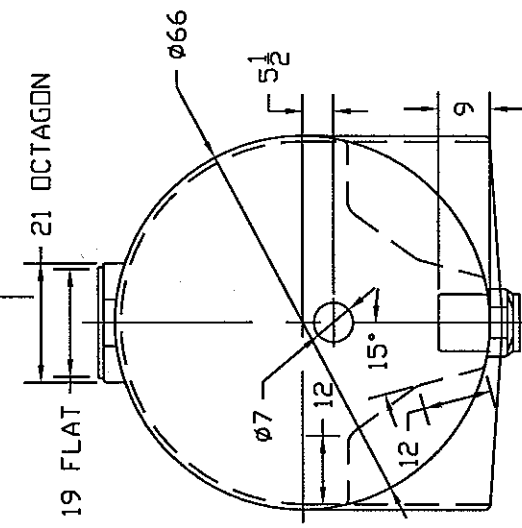
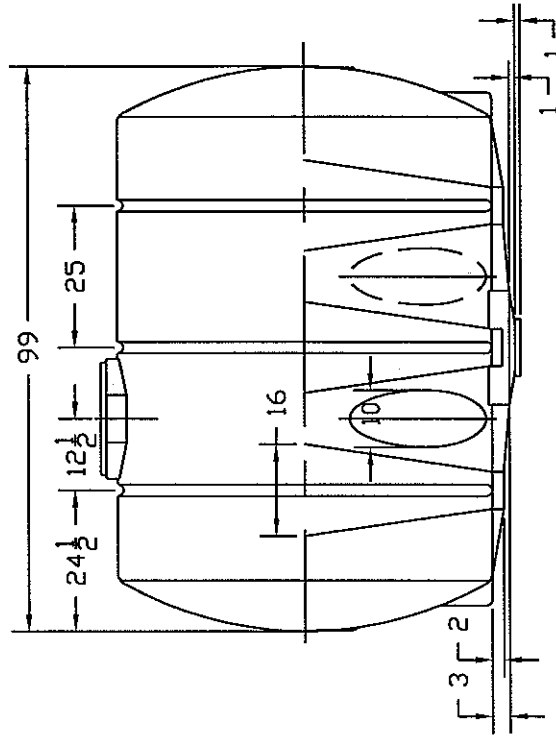


REVISIONS			DATE	APPROVED
ZONE	REV	DESCRIPTION		



FILLWELL DETAIL - 1/8" SCALE

NORWESCO		ST. BONIFACIUS, MN	1310 GALLON DRAINABLE HORIZONTAL TANK	SIZE	FSCM NO.	DWG NO.	REV
JTP	04AUG03						
SCALE 1/24			SHEET				