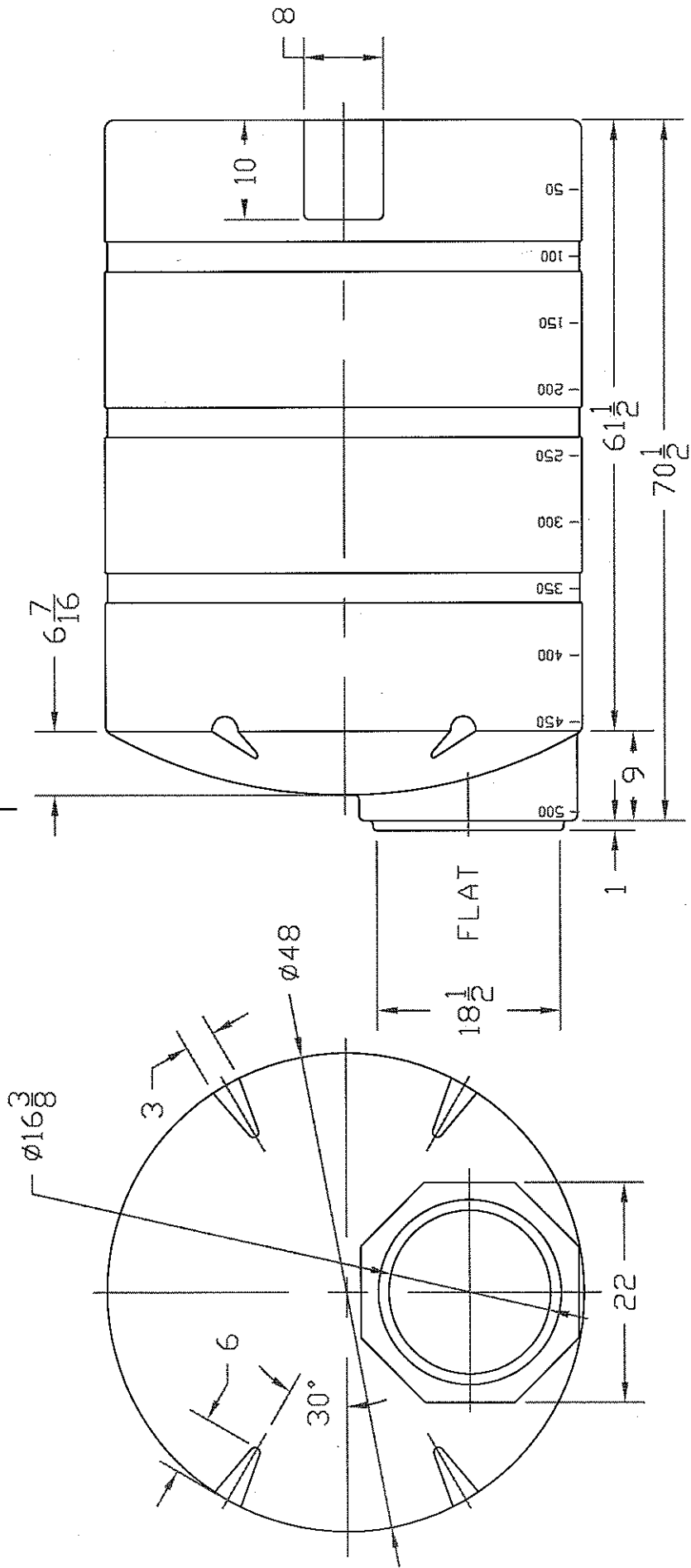


REVISIONS

ZONE	REV	DESCRIPTION	DATE	APPROVED
B	REDRAWN		02 JAN 97	



NORWESCO
ST. BONIFACIUS, MN

500 GALLON VERTICAL TANK

JTP	02JAN97	SIZE	FSCM NO.	DWG NO.	REV
		A			B
SCALE 1/16				SHEET	