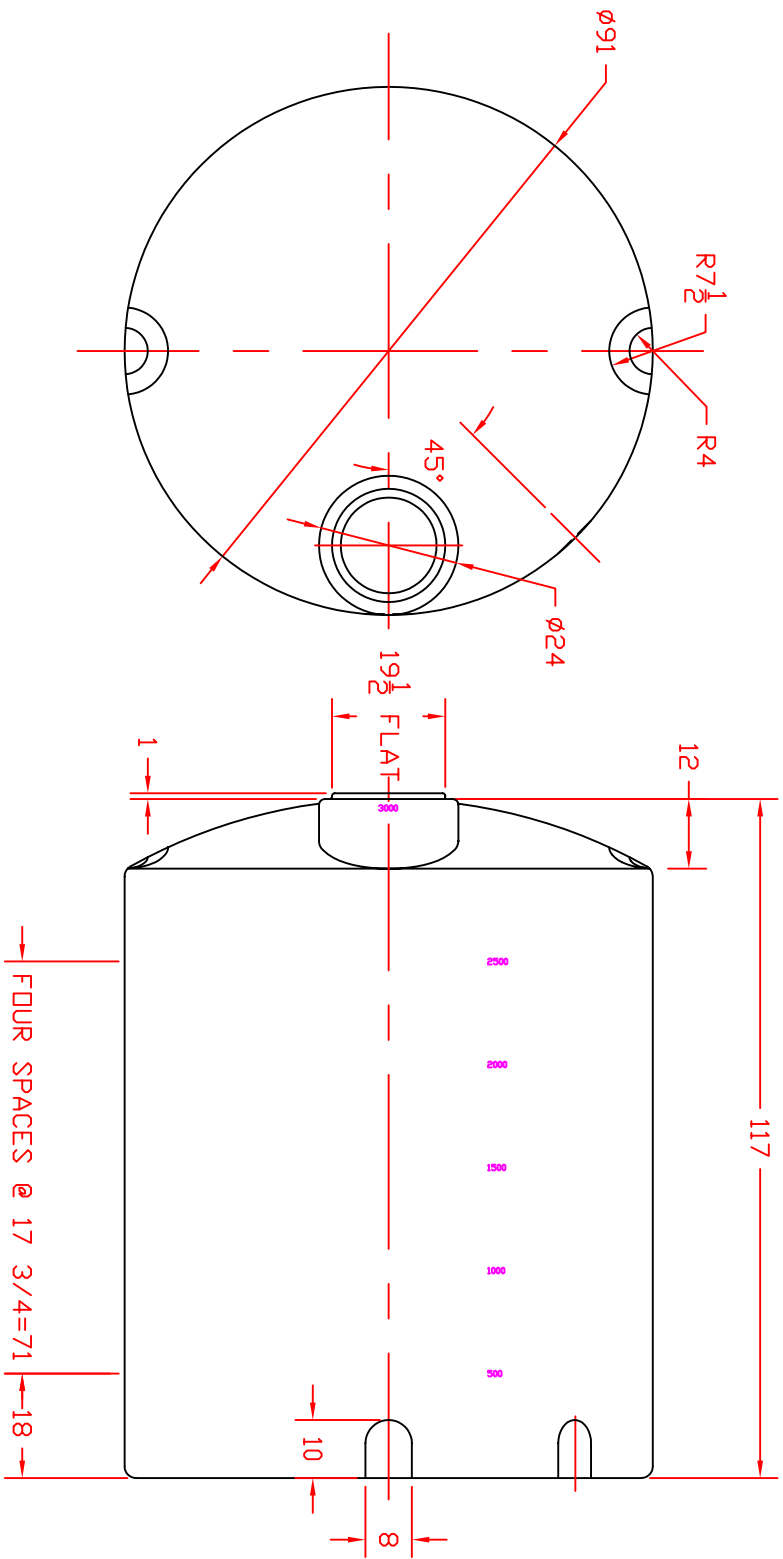


REVISIONS				
ZONE	REV	DESCRIPTION	DATE	APPROVED



		ST. BONIFACIUS, MN	
		3000 GAL X 91 DIA	
VERTICAL TANK		SIZE	DWG. NO.
JTP	06NOV01	B	
SCALE 1/24			SHEET
			REV