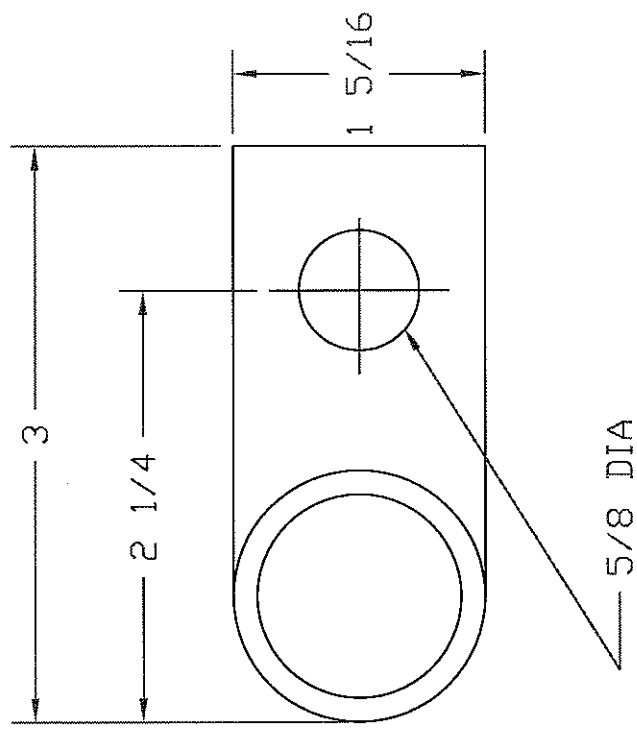
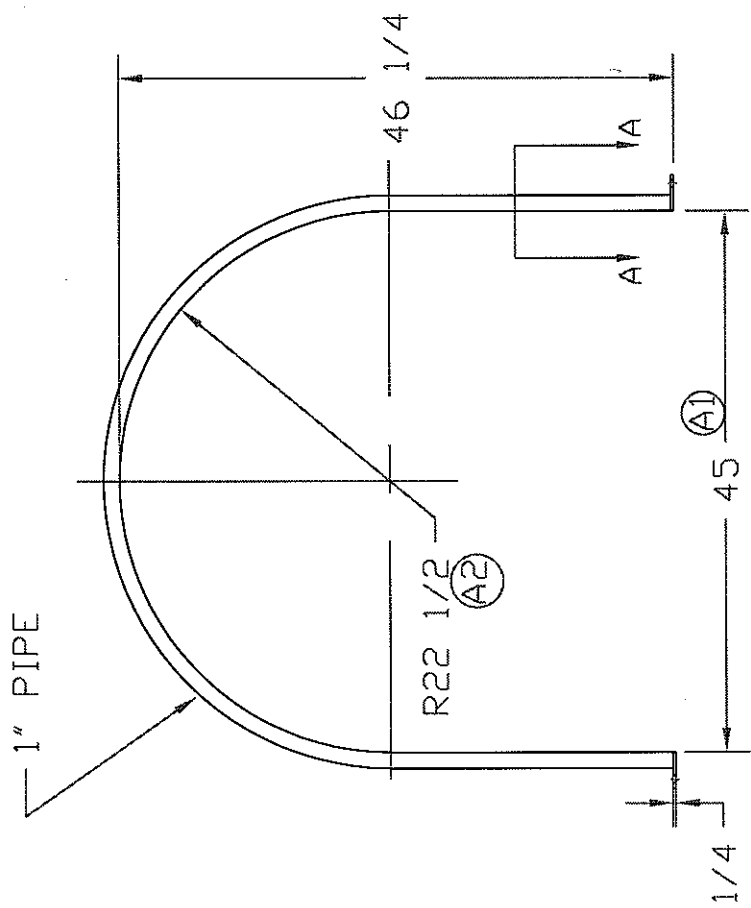


REVISIONS

ZONE	REV	DESCRIPTION	DATE	APPROVED
	A	1,2--DIMS UPDATED	03AUG99	



VIEW A-A FULL SCALE

FINISH: HOT-DIPPED GALVANIZED

NORWESCO
ST. BONIFACIUS, MN

BAND, 1010 SHORT & 710

JTP	8AUG96	SIZE	FSCM NO.	DWG NO.	REV
		A			A
				SCALE	SHEET
				1/16	