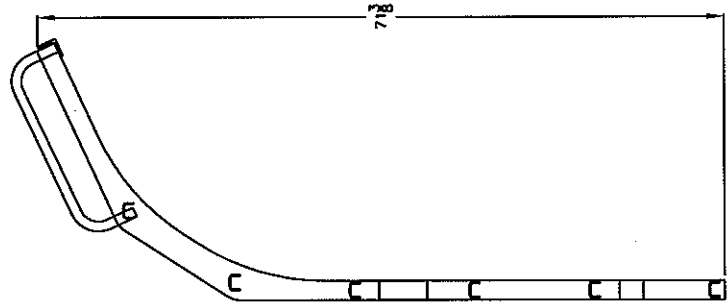
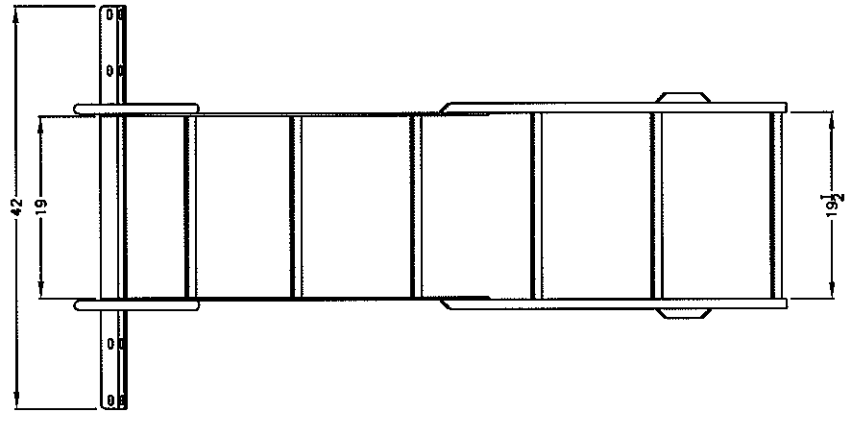


REVISIONS			
ZONE	REV	DESCRIPTION	DATE



NORWESCO
ST. BONIFACIUS, MN

LADDER
2610 & 3210

JTP	06JAN03	SIZE	FSCM NO.	DWG NO.	REV
		A			
SCALE 1/20				SHEET	