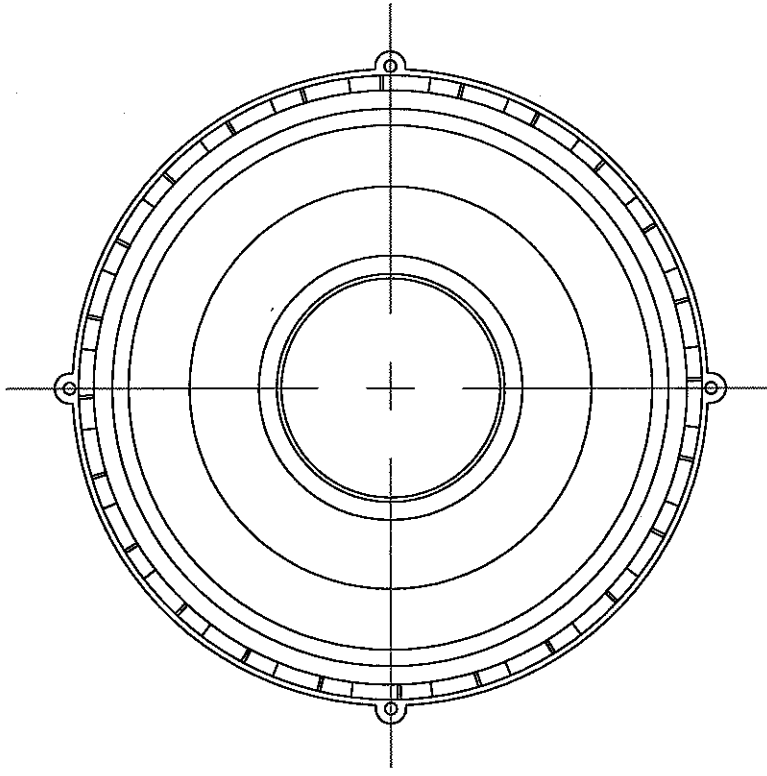
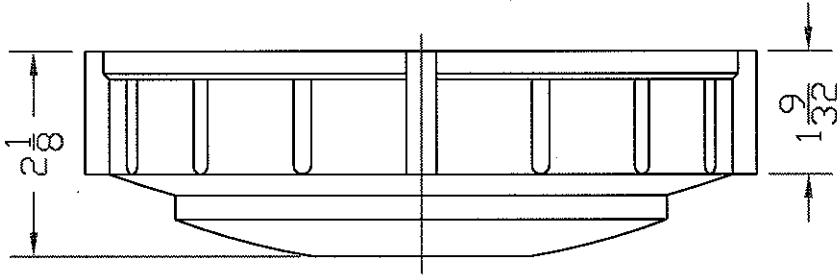
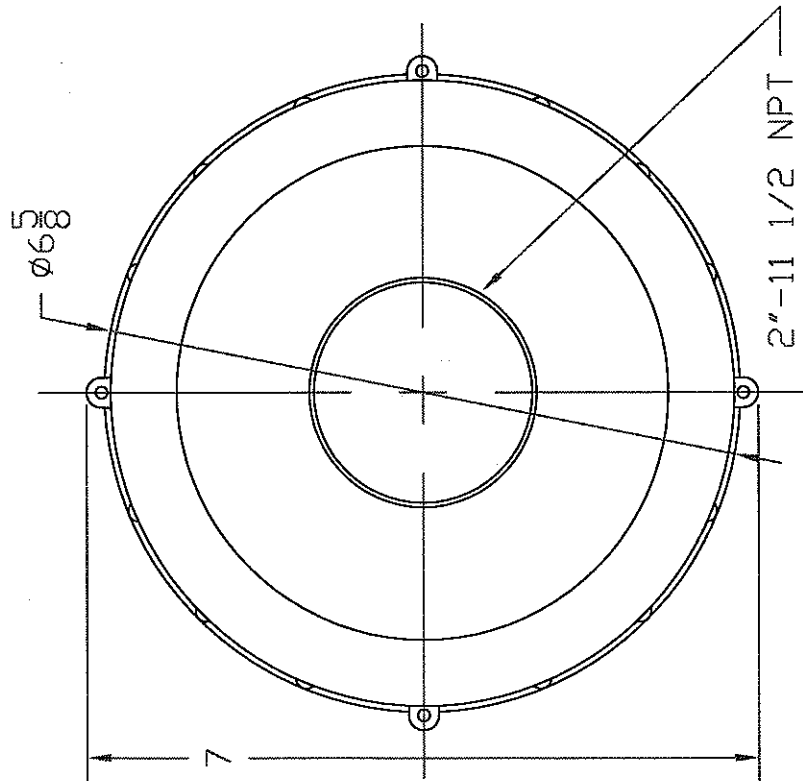


REVISIONS

ZONE	REV	DESCRIPTION	DATE	APPROVED



**NORWESCO**  
ST. BONIFACIUS, MN

5 INCH LID WITH  
2" NPT AT CENTER

JTP 08SEP03	SIZE A	FSCM NO.	DWG NO. 63264	REV
SCALE 1/2			SHEET	