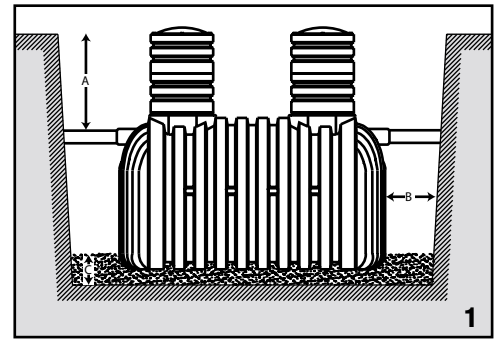


Septic Tank Installation Procedures

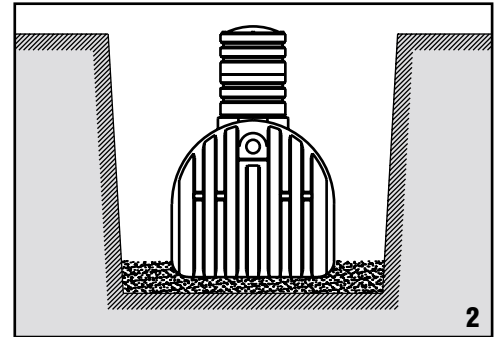
1. Excavation

- Backfill cover (A) may range from a minimum of 6" to a maximum of 30".
- Sidewall and end wall allowance (B) should be 18" to 24".
- Bedding (C) should be a well compacted sand/pea gravel mixture: 6" minimum in soil terrain, 12" minimum in rock terrain.



2. Lid and Manhole Extension

- For proper fit, install the lid and/or manhole extension before you put water in the tank and backfill.
- Please note the direction of flow – the inlet is higher than the outlet.

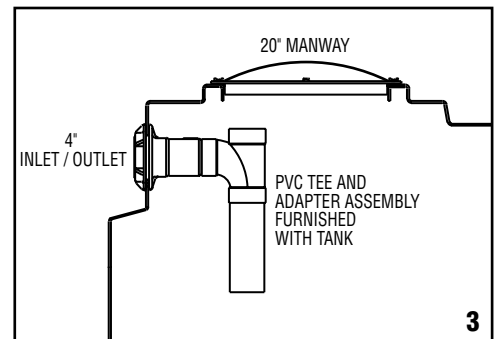


3. Inlet/Outlet Connections

- Connect inlet/outlet fittings to incoming/outgoing piping.

4. Backfilling Exterior and Filling with Water

- CAUTION: Start filling the tank with water when you begin to backfill, keeping the water level even with the backfill level as you go.
- Backfill in 12" maximum layers with a well compacted sand/gravel mixture. ALWAYS COMPACT ENDS FIRST.
- Tamp and compact backfill under inlet and outlet pipe.

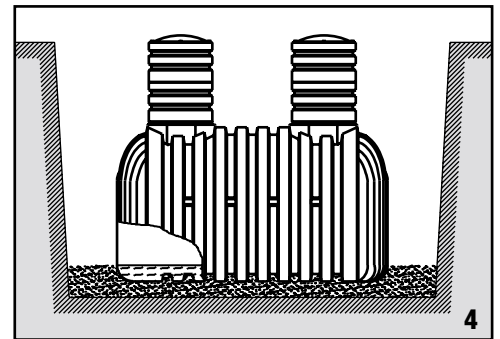


5. Backfilling the Top of Tank

- Once the tank is filled with water, backfill to the surrounding level to a maximum of 30".

General Notes

- Do not install tank in water-saturated clay or in high water table.
- Do not install tank across the path of vehicles or heavy equipment.
- The tanks are designed for below ground use only.
- DO NOT USE A SEPTIC TANK FOR DRINKING WATER.
- Immediately refill the tank with water after pumping.
- To prevent possible tank collapse, do not use the septic tank (with the exception of the 300 and 500 gallon spheres) as a holding tank or pump chamber.
- It is important to contact your local or state sanitarian regarding proper installation of sanitary tee assemblies.



Failure to comply with installation procedures and general notes will void the warranty.

Non-sphere cistern and septic tanks should remain one-fourth full at all times.

Please Note: The installation procedures on this page do not apply to "The Bruiser." Please visit our website for Bruiser installation procedures, www.norwesco.com.

