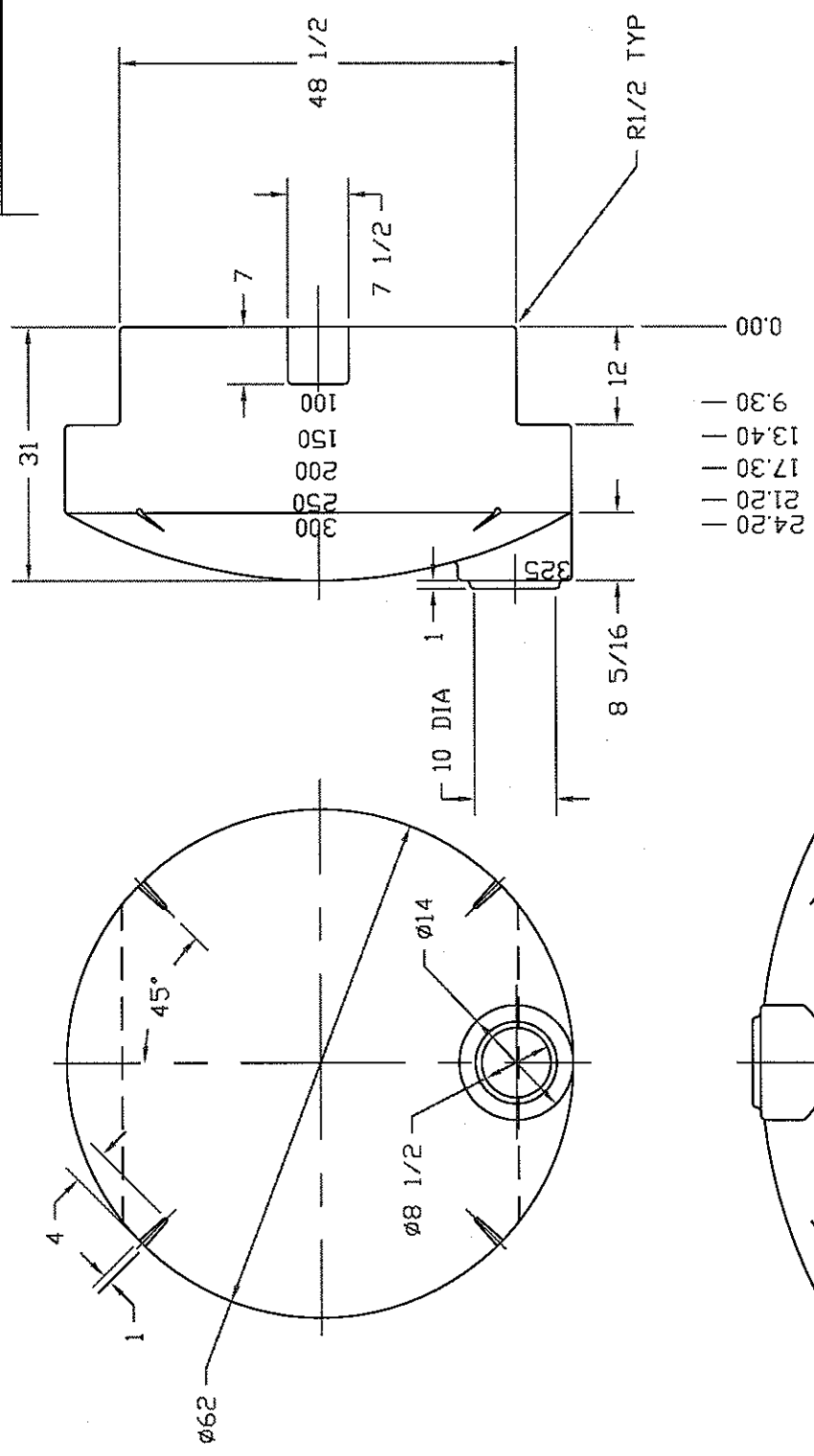


REVISIONS			
ZONE	REV	DESCRIPTION	DATE



NORWESCO		ST. BONIFACIUS, MN	
325 GALLON		PICKUP TANK	
SIZE	FSCM NO.	DWG NO.	REV
JTP	9FEB96		
SCALE 1/16			SHEET