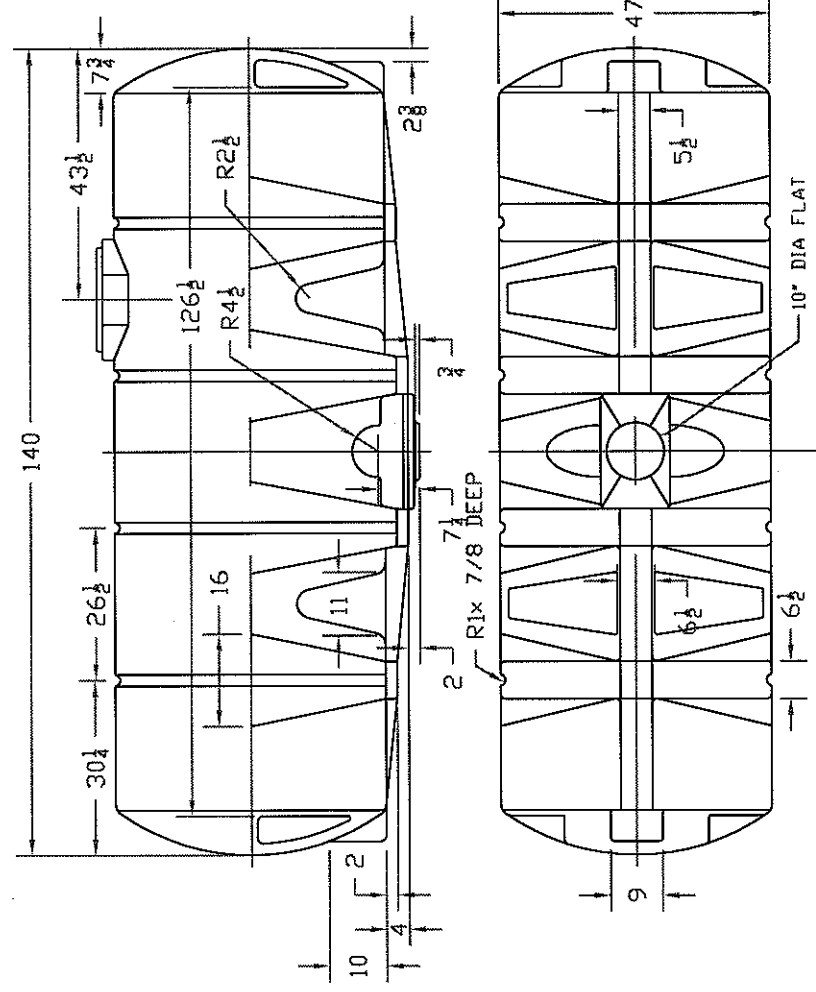
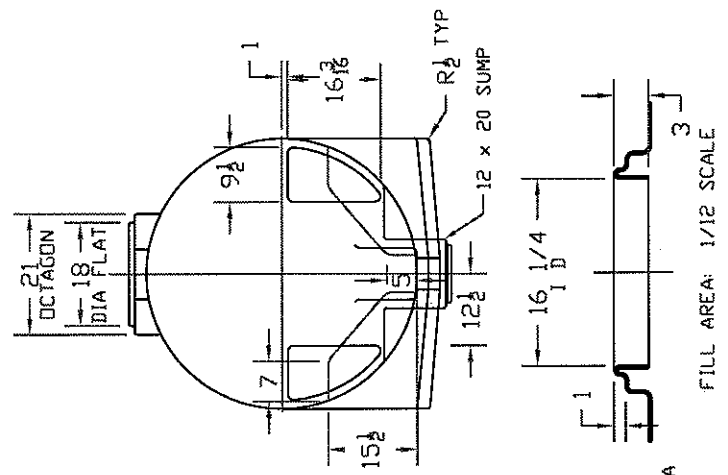


REVISIONS				
ZONE	REV	DESCRIPTION	DATE	APPROVED
	A	SUMP AREA REVISED	28SEP01	



<b>NORWESCO</b>		ST. BONIFACIUS, MN	
1010 GALLON HORIZONTAL		DRAINABLE TANK	
JTP	11JUL94	SIZE B	FSCM NO.
		DWG NO.	
		SCALE 1/24	SHEET