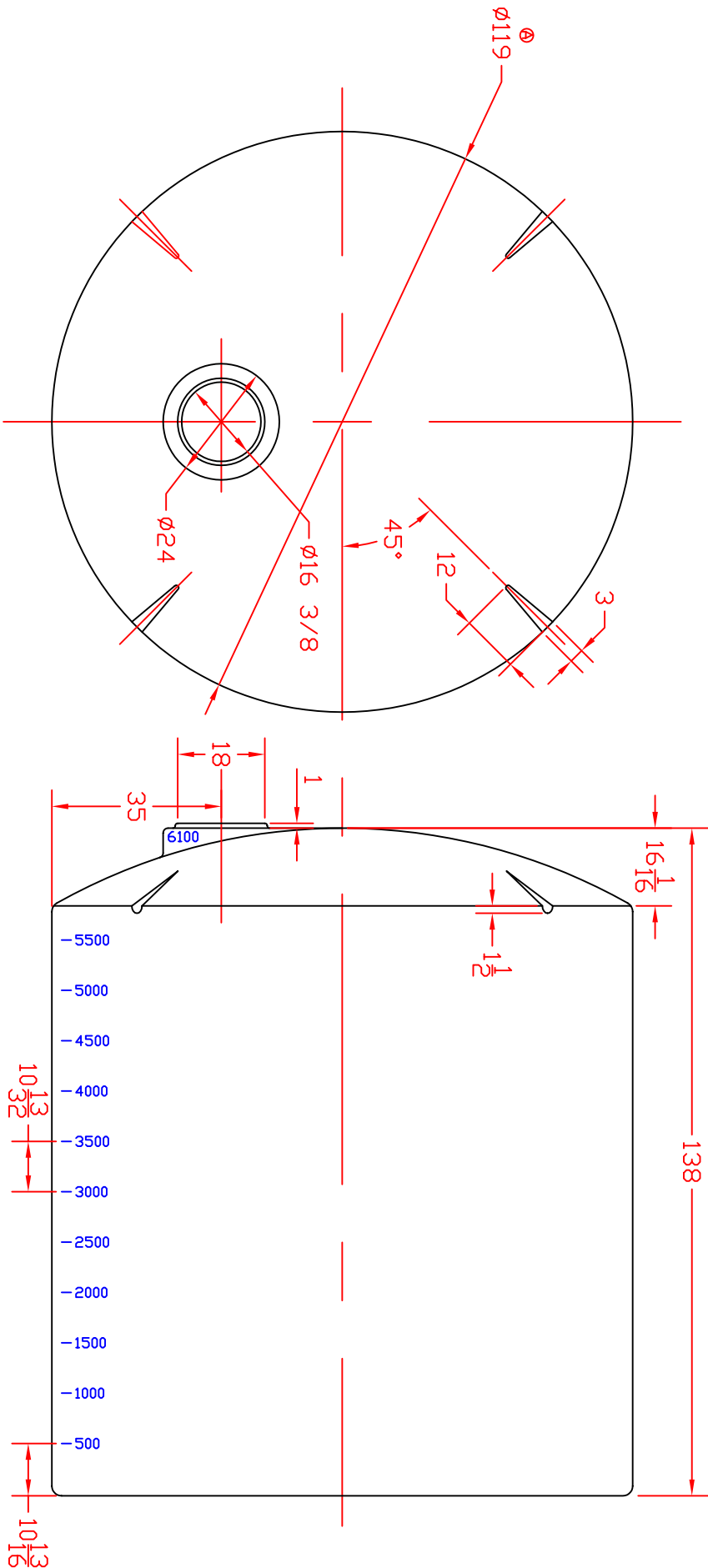


REVISIONS				
ZONE	REV	DESCRIPTION	DATE	APPROVED
A		UPDATE TO PRODUCTION		
			08SEP06	



		ST. BONIFACIUS, MN	
		6100 GALLON VERTICAL STORAGE TANK	
JTP	19MAY95	SIZE	FSOM NO.
B		SCALE	1/24
		DWG NO.	
		REV	A
		SHEET	