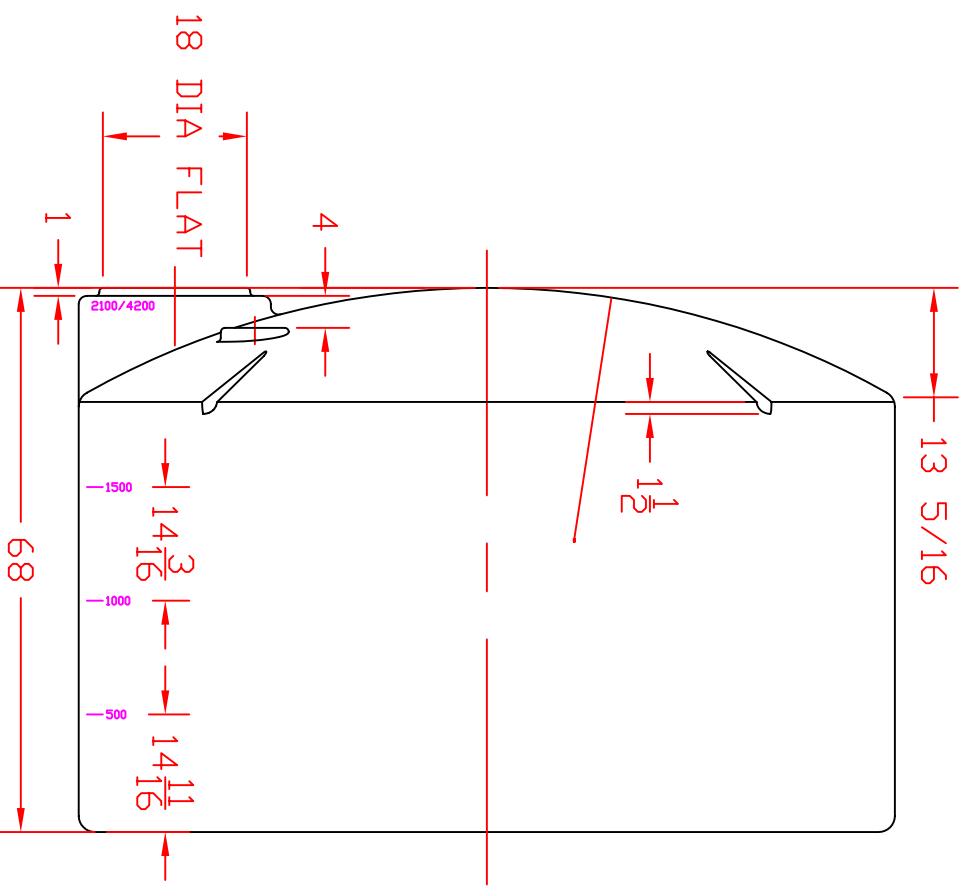
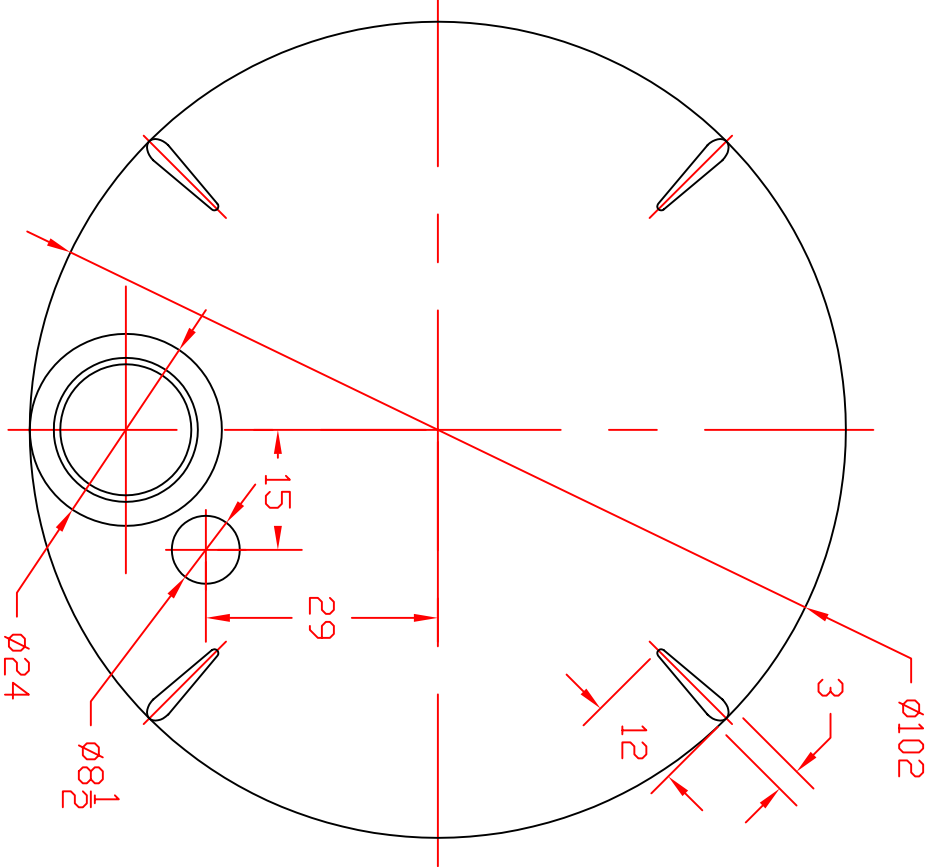


REVISIONS				
ZONE	REV	DESCRIPTION	DATE	APPROVED



FDB LANCASTER, OH

JTP 29AUG01

NORWESCO
 ST. BONIFACIUS, MN

2100 GALLON (X 102 DIA)
 VERTICAL STORAGE TANK

SIZE A FSCM NO. DWG NO. REV

SCALE 1/24 SHEET