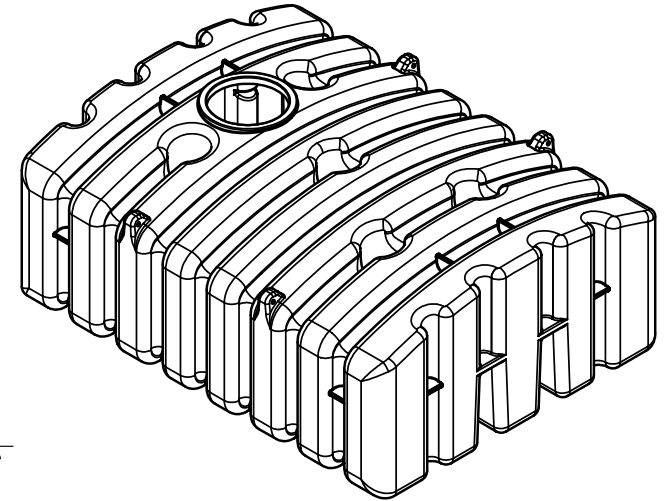
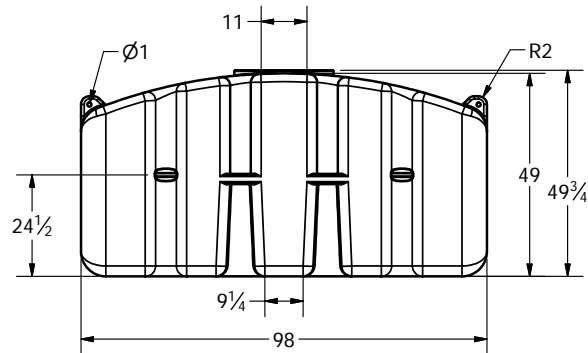
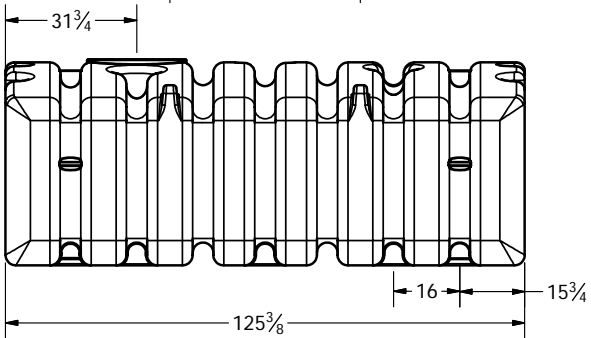
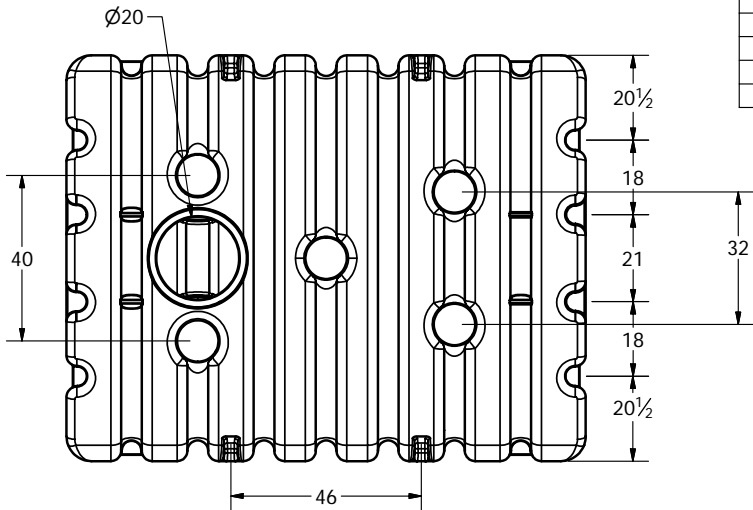



REVISION HISTORY				
ZONE	REV	DESCRIPTION	DATE	APPROVED
	T	REMOVE CURRENT MOLDED THRU HOLES AND BUSHINGS	11-12-2009	
	T	ADD ANGLED INWARD RIBS TO BOTTOM HALF OF BOTH ENDS	11/12/2009	
	T	CAP OFF BOTTOM RIBS THAT INTERSECT MOLDED COLUMNS	11/12/2009	



DRAWN Todd Bolzer	10/5/2009	 NORWESCO, INC., ST. BONIFACIUS, MN		
CHECKED				
QA		TITLE		
MFG		2000 GAL BELOW GROUND HOLDING TANK		
APPROVED				
		SIZE B	DWG NO	REV T
		SCALE: 1/16	SHEET 1 OF 1	