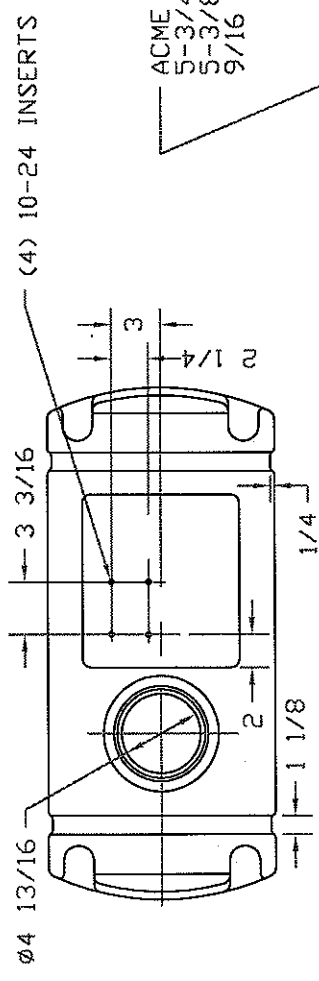
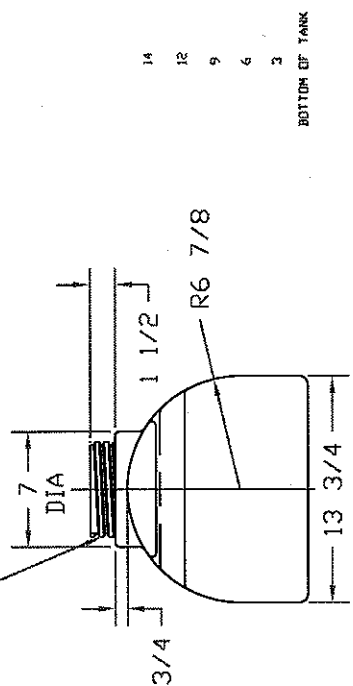
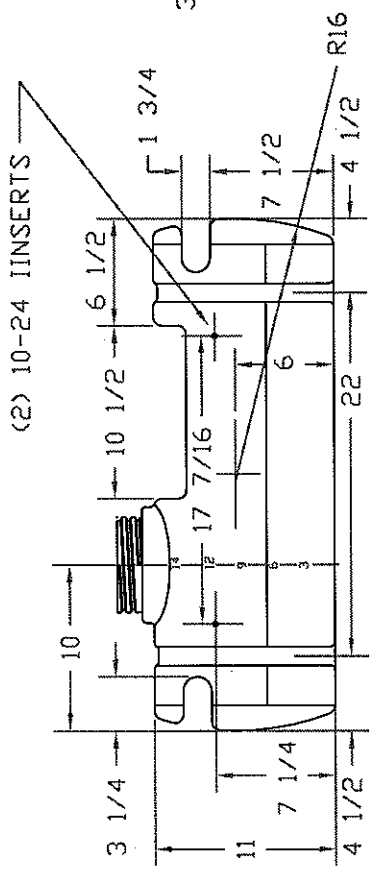


REVISIONS				
ZONE	REV	DESCRIPTION	DATE	APPROVED
	A	REDRAWN	19AUG97	
	B	LID THREAD REVISED	09FEB00	

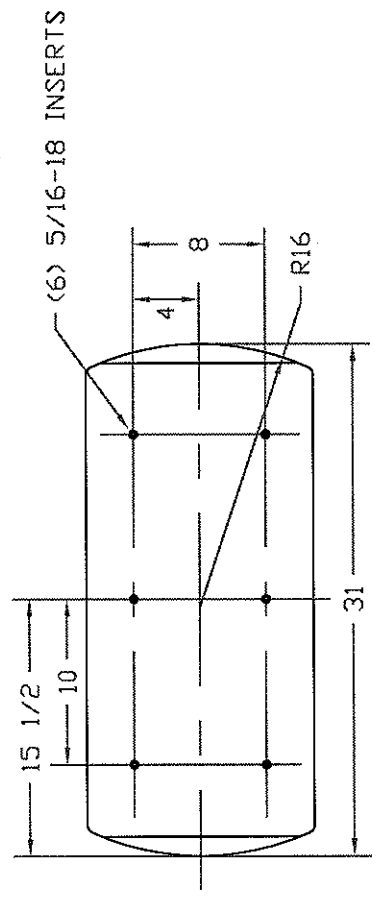


ACME THREAD  
 5-3/4 MAJOR DIA  
 5-3/8 MINOR DIA  
 9/16 PITCH



BOTTOM OF TANK

GALLON MARKER LOCATIONS



**NORWESCO**  
 ST. BONIFACIUS, MN  
 14 GALLON SPOT  
 SPRAYER TANK

JTP	19AUG97	SCALE 1/8	SHEET
REV	B	FSCM NO.	DWG NO.