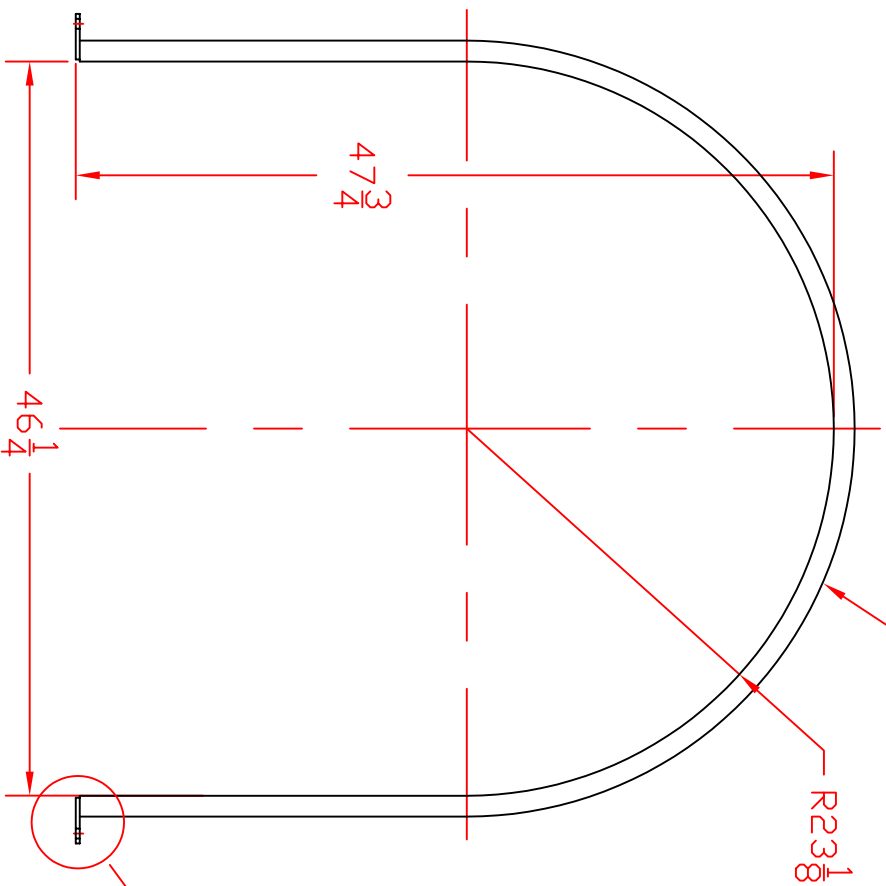
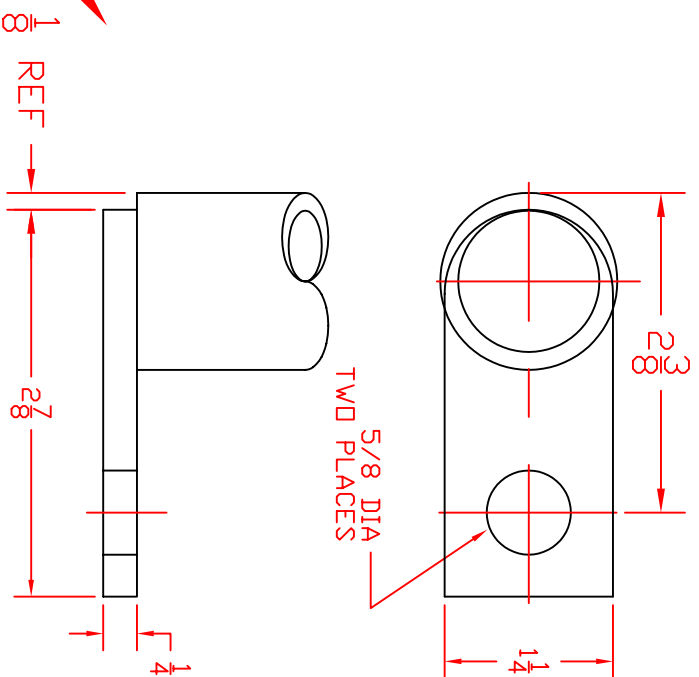


1" PIPE (1.31" OD) W/ .120" WALL



REVISIONS				
ZONE	REV	DESCRIPTION	DATE	APPROVED
	A	REDRAWN	10SEP97	
	B	REVISED & REDRAWN	14JAN04	



FULL SCALE DETAIL

NOTE: WELD WITH LOW HYDROGEN ROD
 FINISH: HOT DIPPED GALVANIZED

THIS DRAWING MODIFIED WITH
 NARROWER FOOT.

JTP 14JAN04			
BAND, 425, 525, 725, & 1025 GAL. HORIZ. TANKS		ST. BONIFACIUS, MN	
SIZE	FSCM NO.	DWG NO.	REV
A			B
SCALE	1/12	SHEET	