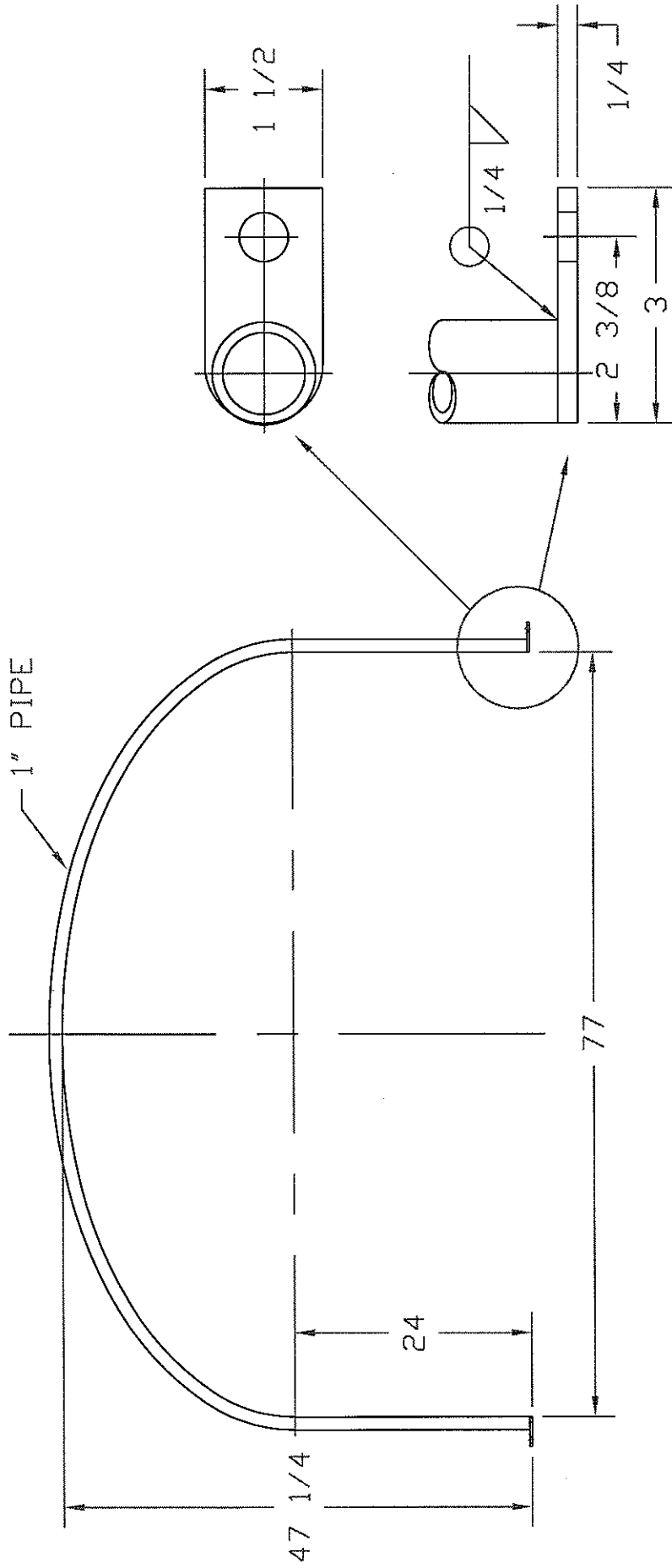


REVISIONS

ZONE	REV	DESCRIPTION	DATE	APPROVED
	A	REDRAWN	25 JUN 97	



HOT-DIPPED
GALVANIZED
FINISH

NORWESCO
ST. BONIFACIUS, MN

BAND, 1035 ELLIPTICAL
LEG TANK

JTP 25 JUN 97

SIZE A FSCM NO. DWG NO.

SCALE 1/16

SHEET

REV A