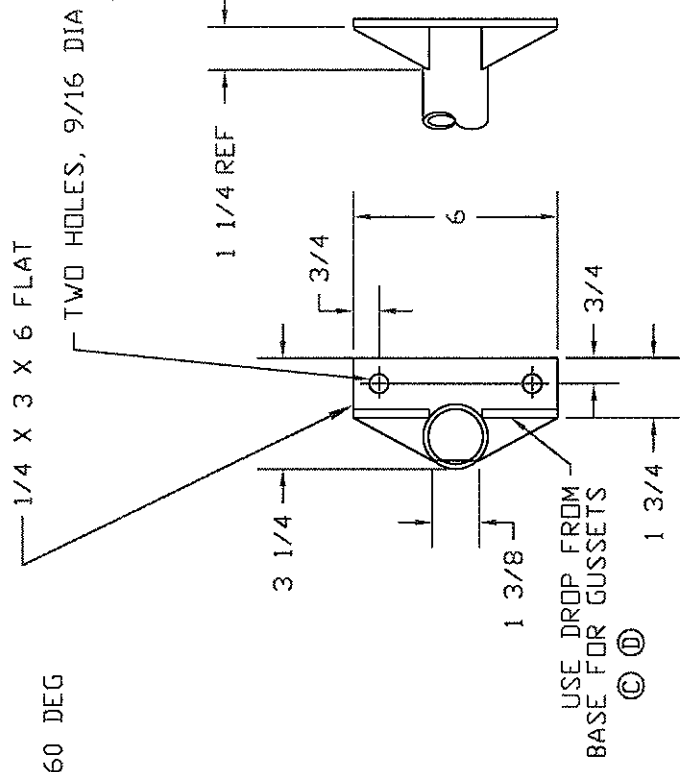
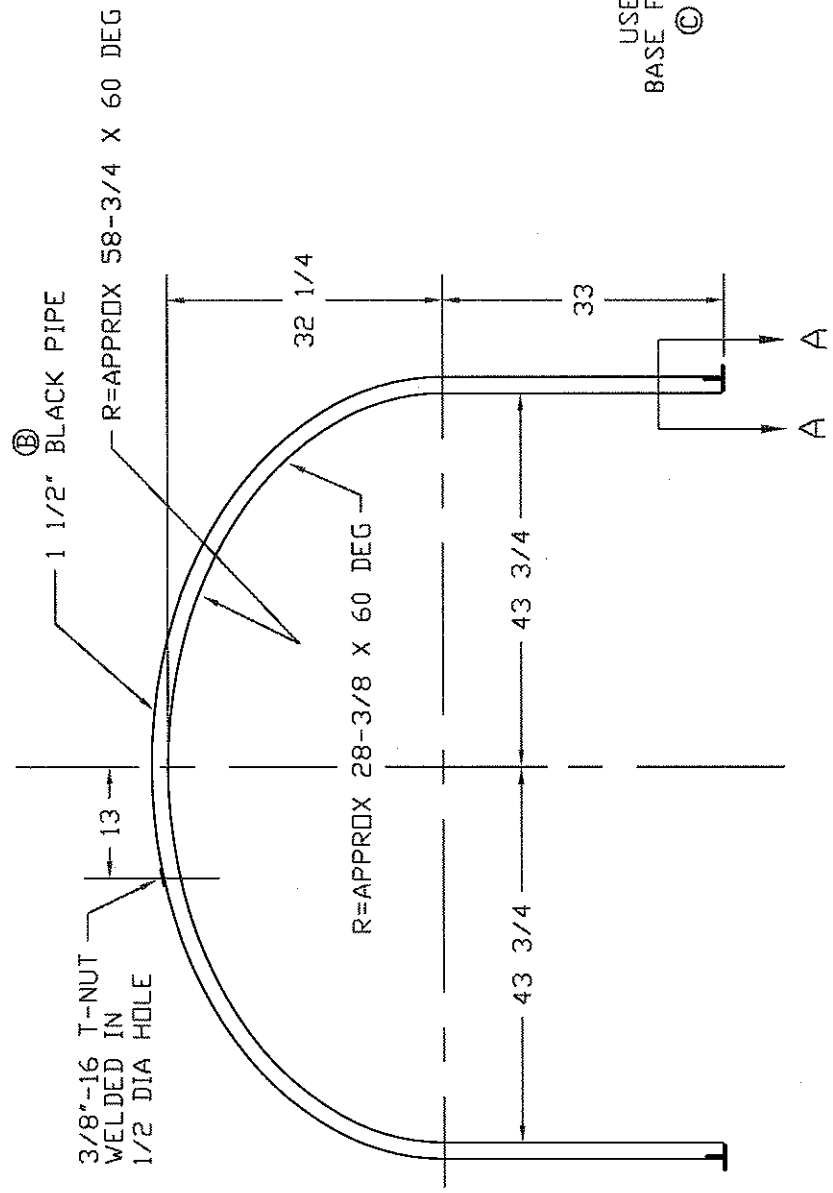


REVISIONS				
ZONE	REV	DESCRIPTION	DATE	APPROVED
	A	REVISED & REDRAWN	4MAY95	
	B	WAS 2" PIPE	21JUL97	
	C	GUSSETS ADDED	29JAN98	
	D	GUSSETS REVISED	19OCT98	



VIEW A-A
1/4 SCALE

FINISH: HOT-DIPPED GALVANIZED

NORWESCO
 ST. BONIFACIUS, MN
 BAND, 2635 ELLIPTICAL
 TANK
 SIZE B FSCM NO. DWG NO. REV D
 JTP 4MAY95 SCALE 1/16 SHEET