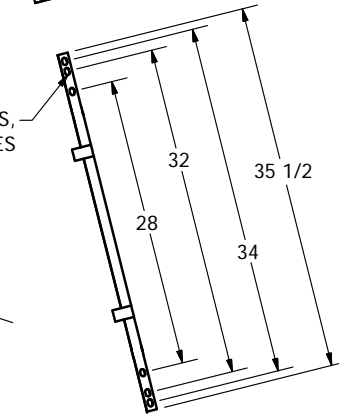
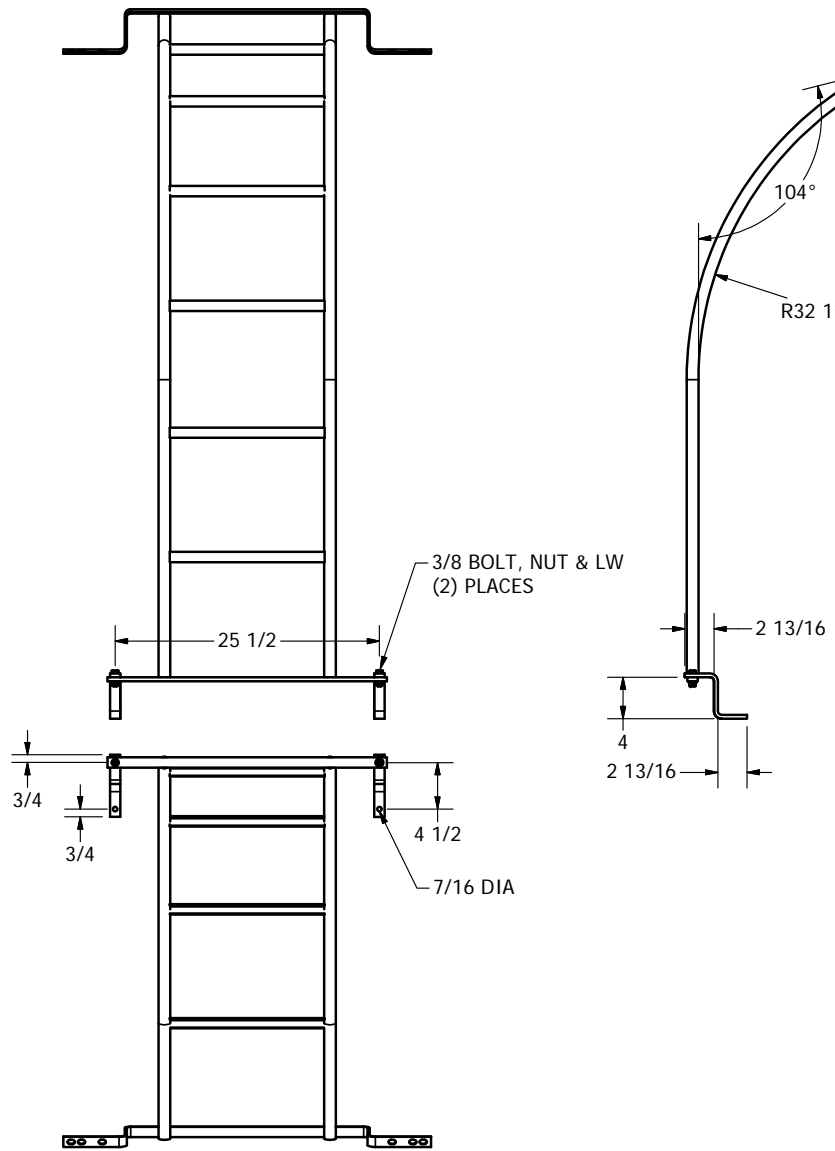
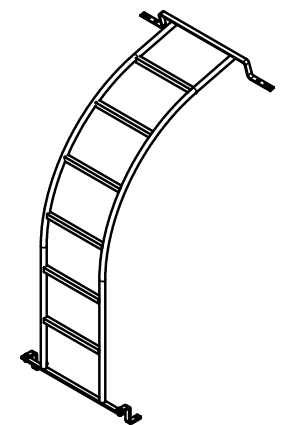



REV	AUTHOR	DESCRIPTION	DATE
A	JTP	REVISED & REDRAWN	3/27/2009



SECTION A-A
SCALE 1 / 12



DRAWN Jerry Paulson	3/2/2009		
CHECKED		NORWESCO, INC., ST. BONIFACIUS, MN	
QA		TITLE	
MFG		LADDER ASSY, 2635 & 3135	
APPROVED		SIZE B	REV A
		SCALE: 1/16	SHEET 1 OF 1