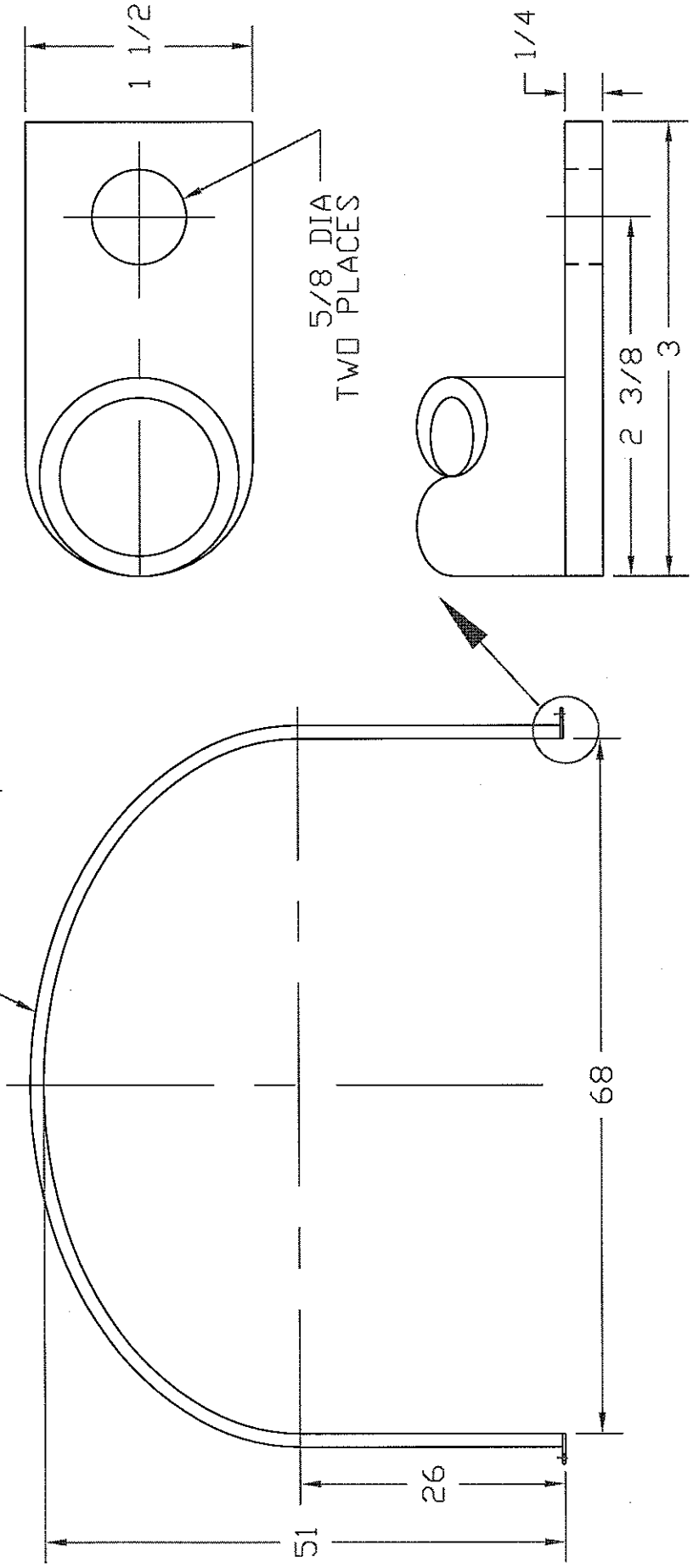


REVISIONS			
ZONE	REV	DESCRIPTION	DATE
	A	REDRAWN	10SEP97
			APPROVED

1" BLACK PIPE



FULL SCALE DETAIL

NORWESCO
ST. BONIFACIUS, MN

BAND, 1635 ELLIPTICAL
LEG TANK

NOTE: WELD WITH LOW HYDROGEN ROD
FINISH: HOT DIPPED GALVANIZE

JTP	10SEP97	SIZE	FSCM NO.	DWG NO.	REV
		A			A
SCALE 1/16				SHEET	