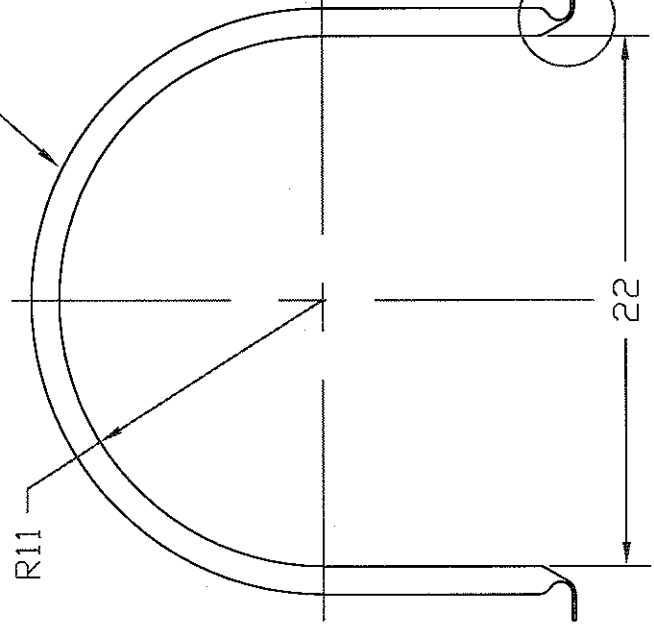


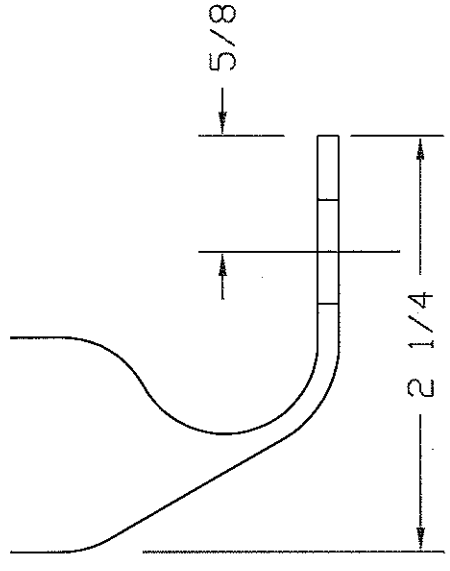
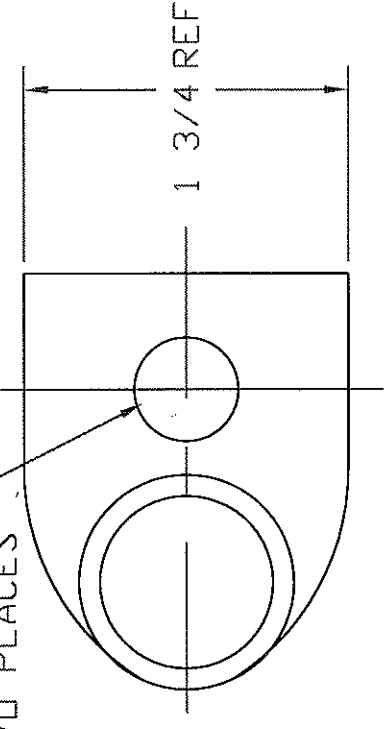
REVISIONS

ZONE	REV	DESCRIPTION	DATE	APPROVED
	B	REVISED & REDRAWN	15MAR99	
	C	55 GALLON ADDED	21OCT03	

1" GALVANIZED EMT CONDUIT  
(1.163 OD, 1.049 ID)



9/16 DIA  
TWO PLACES



**NORWESCO**  
ST. BONIFACIUS, MN

BAND, 55 & 65 GALLON  
HORIZONTAL TANKS

JTP	15MAR99	SIZE	FSCM NO.	DWG NO.	REV
		A			C
SCALE 1/8				SHEET	