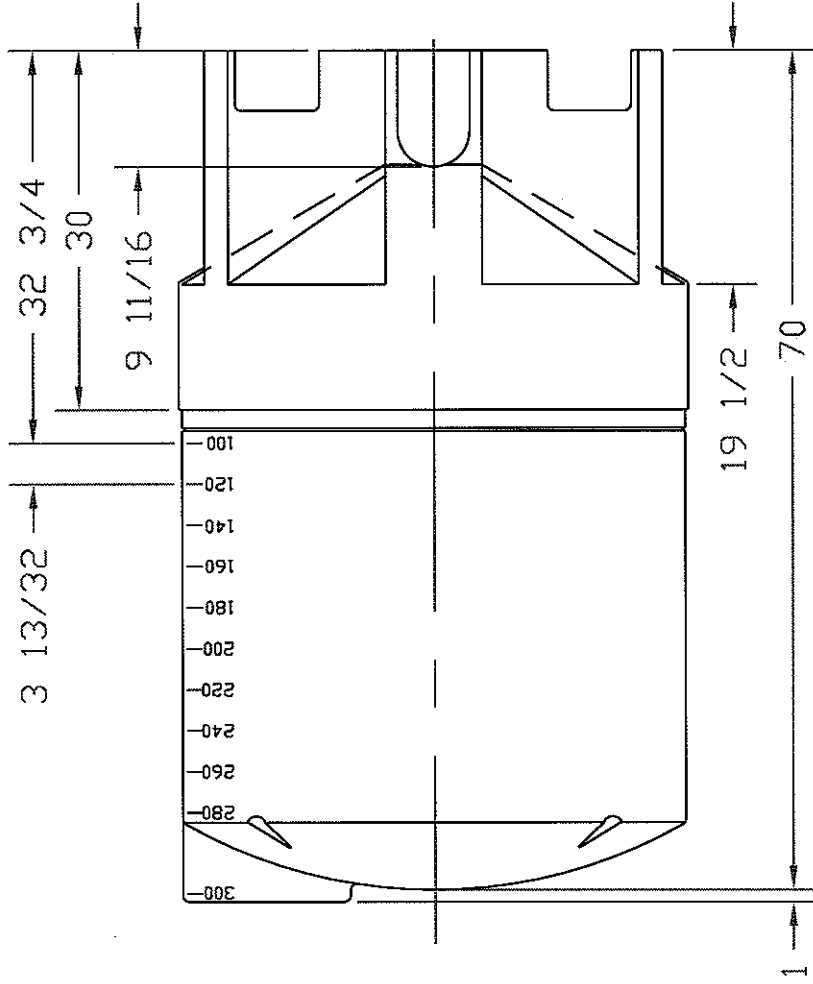


REVISIONS

ZONE	REV	DESCRIPTION	DATE	APPROVED
	A	WAS 300	30 JUN 99	



NORWESCO
ST. BONIFACIUS, MN

310 GALLON CONE BOTTOM
TANK WITH STAND

JTP 08APR97	SIZE A	FSCM NO.	DWG NO.	REV
SCALE 1/16			SHEET	