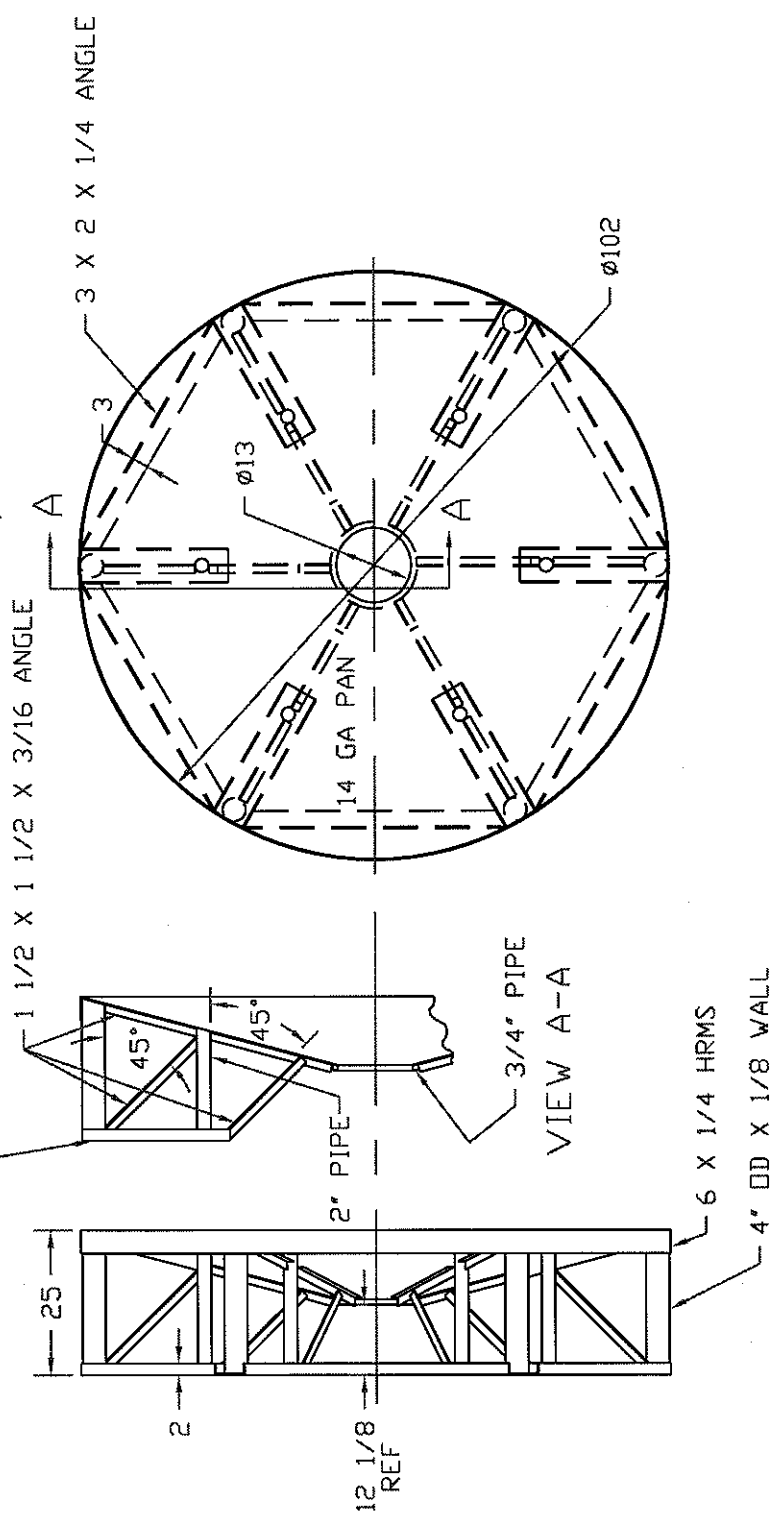


| REVISIONS |     |             |      |
|-----------|-----|-------------|------|
| ZONE      | REV | DESCRIPTION | DATE |
|           |     |             |      |
|           |     |             |      |

6 X 8.2 # CHANNEL X 25 1/2 LONG  
LEGS UP--SIX PLACES



|                  |                       |            |          |          |
|------------------|-----------------------|------------|----------|----------|
|                  | ST. BONIFACIUS, MN    |            | DATE     | APPROVED |
|                  | STEEL STAND, 6000 GAL |            |          |          |
| CONE BOTTOM TANK |                       |            |          |          |
| JTP              | 09NOV99               | SIZE B     | FSCM NO. | DWG NO.  |
|                  |                       | SCALE 1/24 |          | SHEET    |