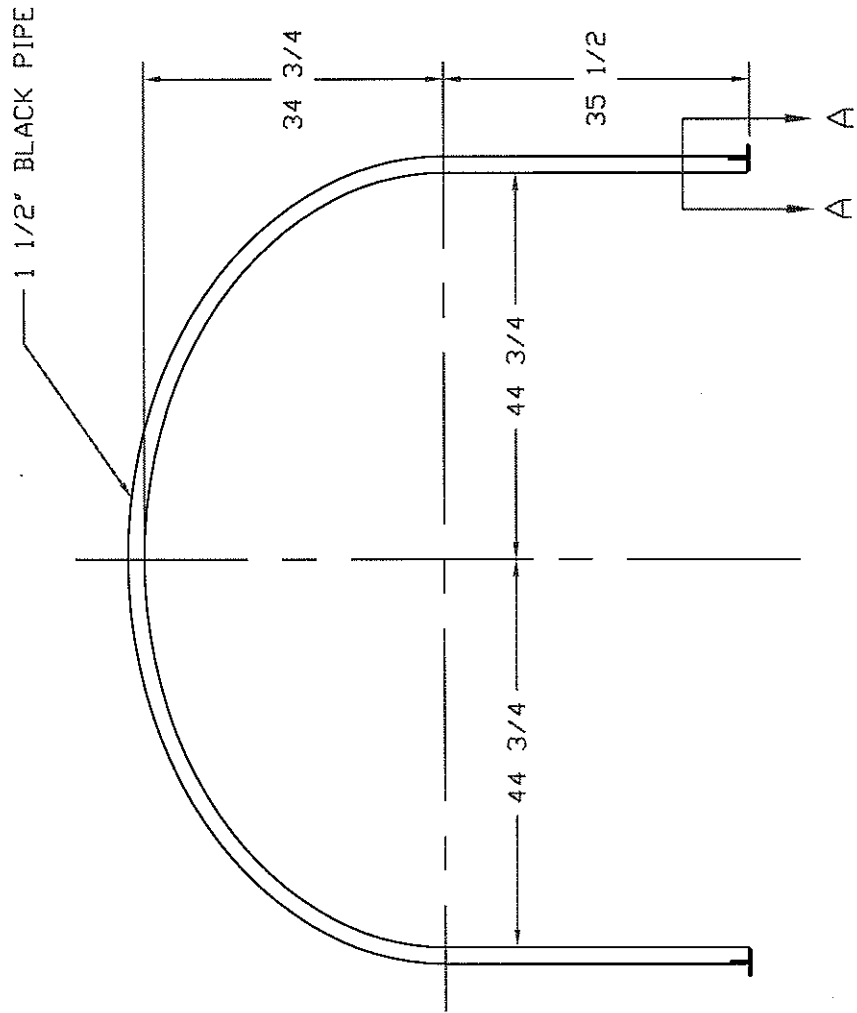
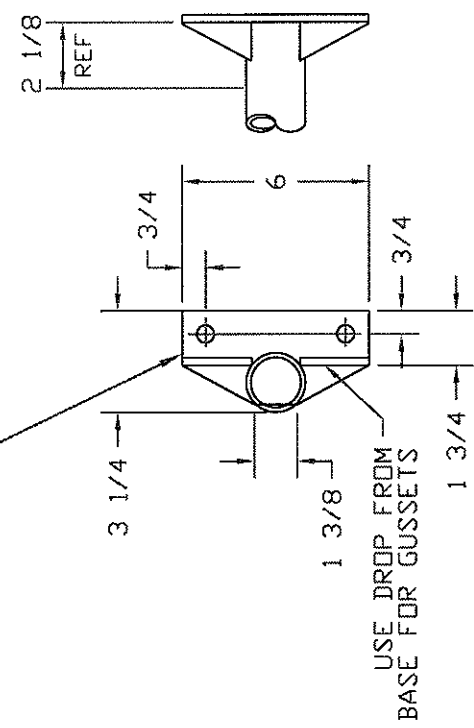


REVISIONS				
ZONE	REV	DESCRIPTION	DATE	APPROVED



1/4 X 3 X 6 FLAT



USE DROP FROM  
BASE FOR GUSSETS

VIEW A-A  
1/4 SCALE

**NORWESCO**  
ST. BONIFACIUS, MN

BAND, 4035 ELLIPTICAL  
TANK

JTP 20APR01

SIZE B FSCM NO. DWG NO. REV

SCALE 1/16 SHEET