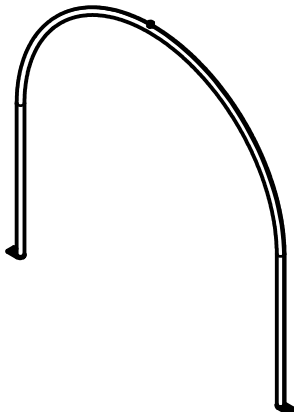
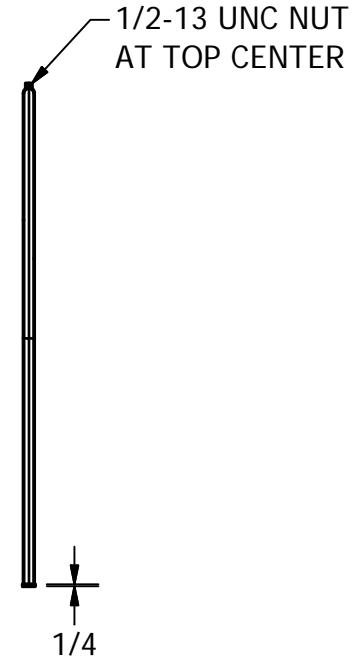
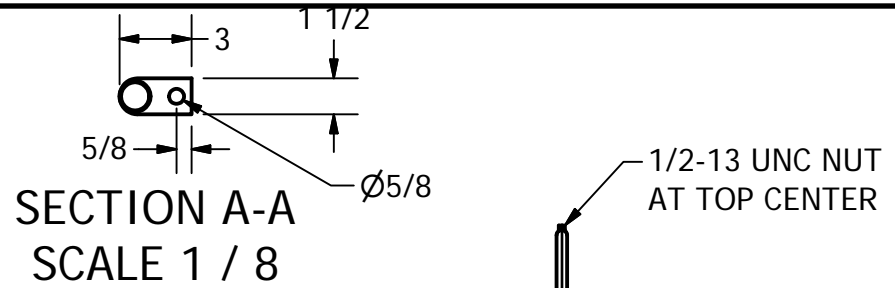
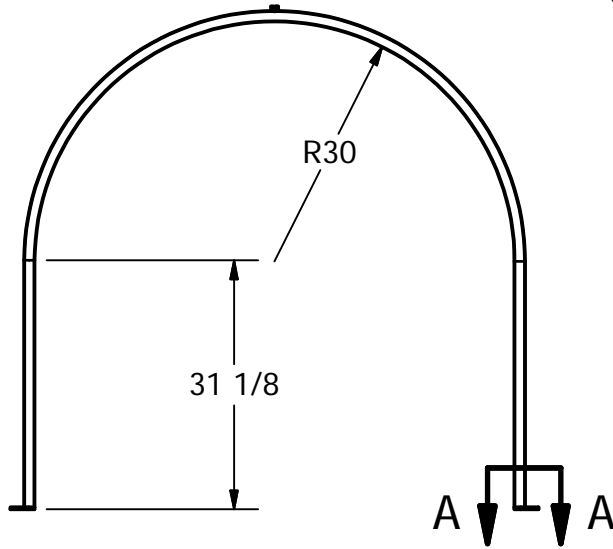



REV	DESCRIPTION	DATE
A	REVISED & REDRAWN W/ NUT	1/13/2009



DRAWN Jerry Paulson	1/13/2009			
CHECKED		NORWESCO, INC., ST. BONIFACIUS, MN		
QA		TITLE		
MFG		900/925/1800 HORIZONTAL LEG TANK BAND		
APPROVED				
		SIZE A	DWG NO 62852	REV A
		SCALE: 1/16		SHEET 1 OF 1