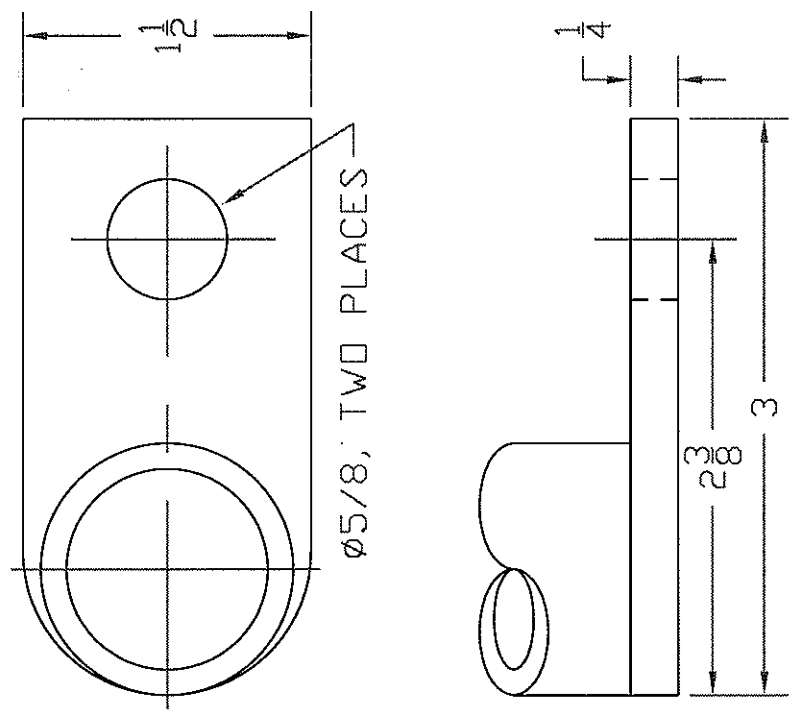
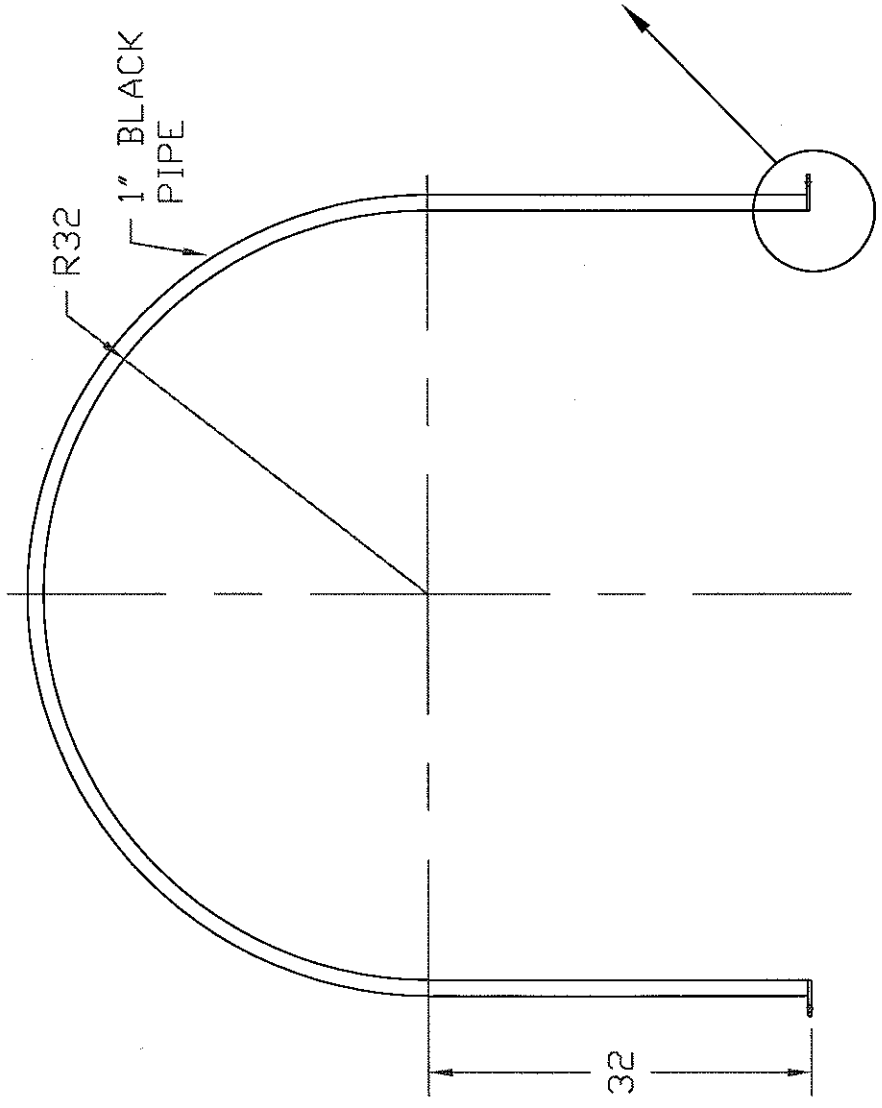


| REVISIONS | | |
|-----------|-----|-------------|
| ZONE | REV | DESCRIPTION |
| | | |
| | | |
| | | |

| DATE | APPROVED |
|------|----------|
| | |
| | |
| | |



FULL SCALE DETAIL

NORWESCO
ST. BONIFACIUS, MN

BAND, 1325 HORIZONTAL &
1310 DRAINABLE TANKS

| | | | | | | |
|------------|---------|------|----------|---------|-------|-----|
| JTP | 15SEP03 | SIZE | FSCM NO. | DWG NO. | 63282 | REV |
| | | A | | | | |
| SCALE 1/16 | | | | | SHEET | |

FINISH: HOT DIPPED GALVANIZED