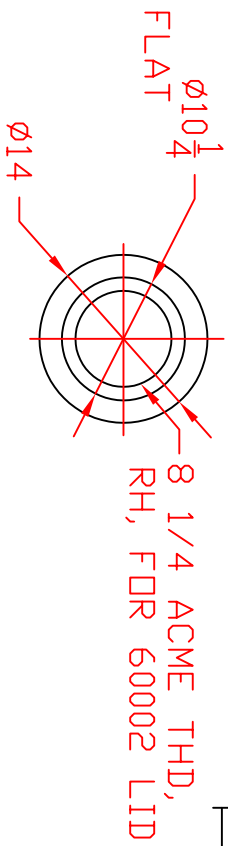
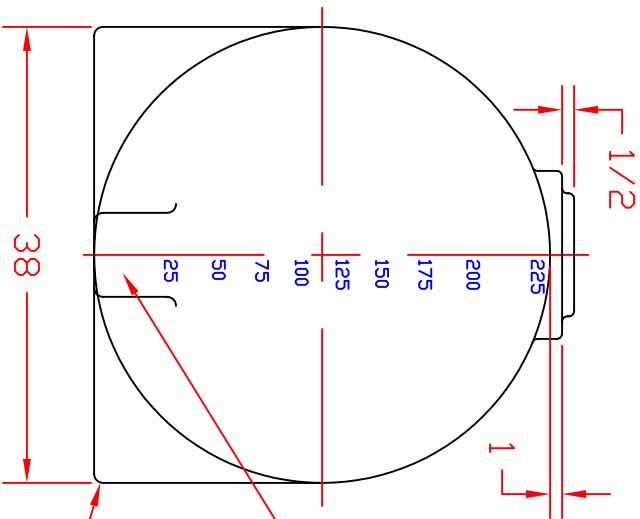
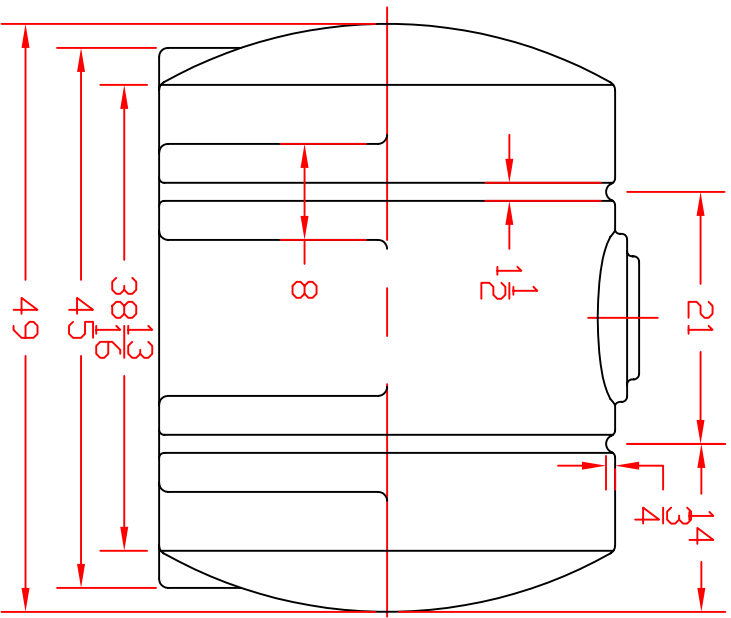


REVISIONS				
ZONE	REV	DESCRIPTION	DATE	APPROVED
	A	QH DELETED	04 JAN05	
	B	TX ADDED	19APR07	



NOTE: GALLONAGE MARKS ON BOTH ENDS



- 31.6
- 27.6
- 24
- 20.7
- 17.3
- 14
- 10.4
- 6.4
- 0

NORWESCO
ST. BONIFACIUS, MN

225 GALLON HORIZONTAL LEG TANK

JTP 07MAR96

SCALE 1/16

SIZE A

FSCM NO.

DWG NO.

SHEET 1 OF 2

REV B

OK, NY, TX

(A)

(B)