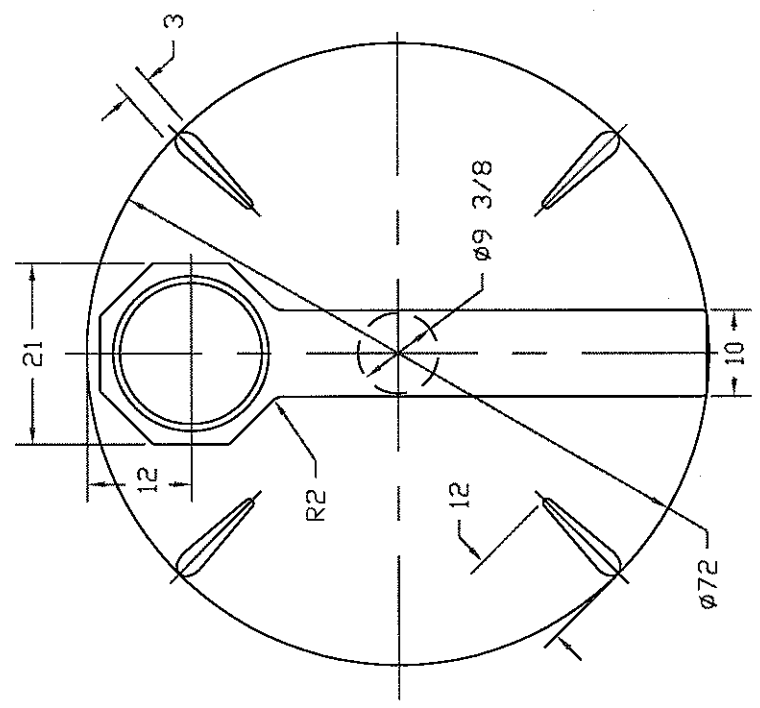
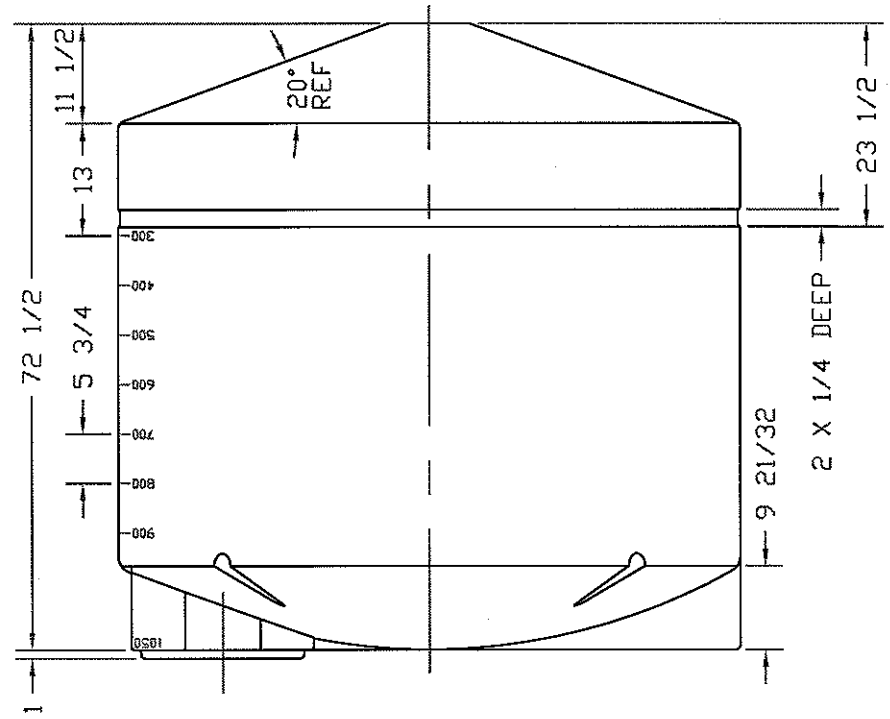


REVISIONS			
ZONE	REV	DESCRIPTION	DATE
	A	ADD TIEDWNS & MIXERMNT	06JUN97



NORWESCO
ST. BONIFACIUS, MN

1050 GALLON CONE BOTTOM
TANK

JTP_06JUN97	SIZE	FSCM NO.	DWG NO.	REV
	B			A
SCALE 1/16				SHEET