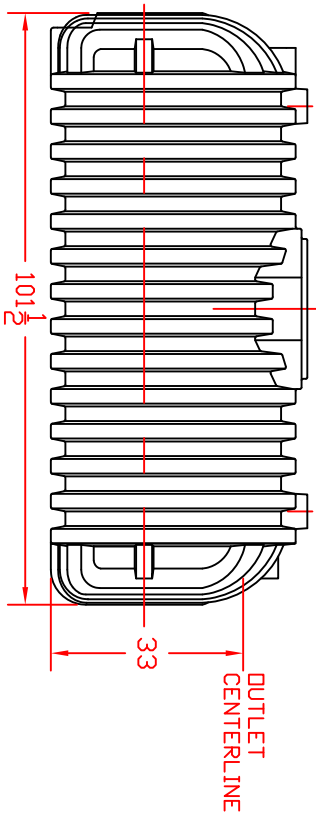
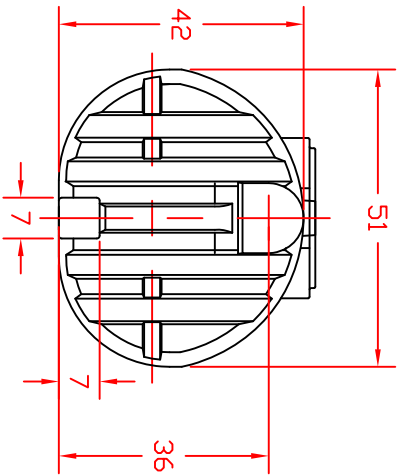
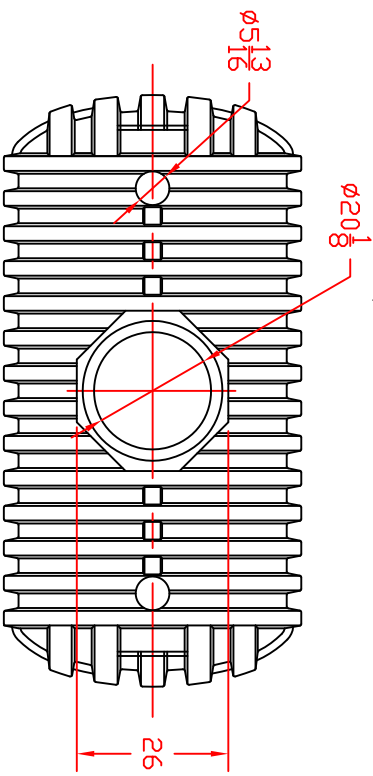


REVISIONS				
ZONE	REV	DESCRIPTION	DATE	APPROVED
A		REMOVED INLETE/DUTLET HUBS	17AUG10	



 ST. BONIFACIUS, MN 500 GALLON SEPTIC TANK		JTP	15JUL02	SCALE	1/24	SHEET
		SIZE	FSCM NO.	DWG NO.	REV	A