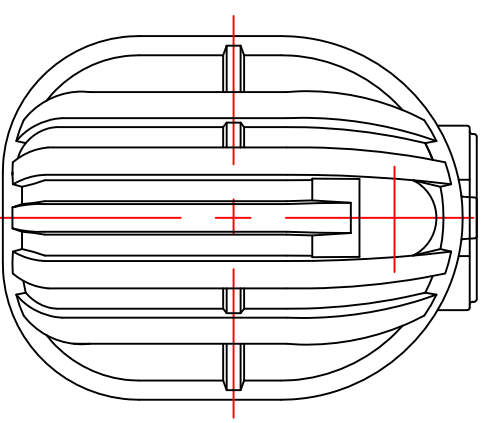
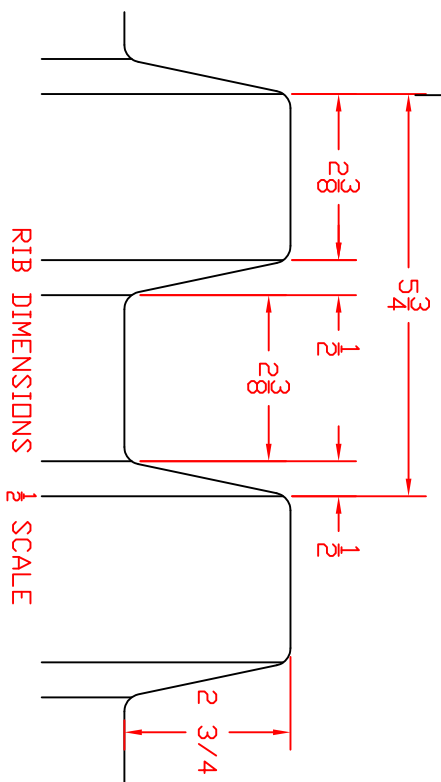
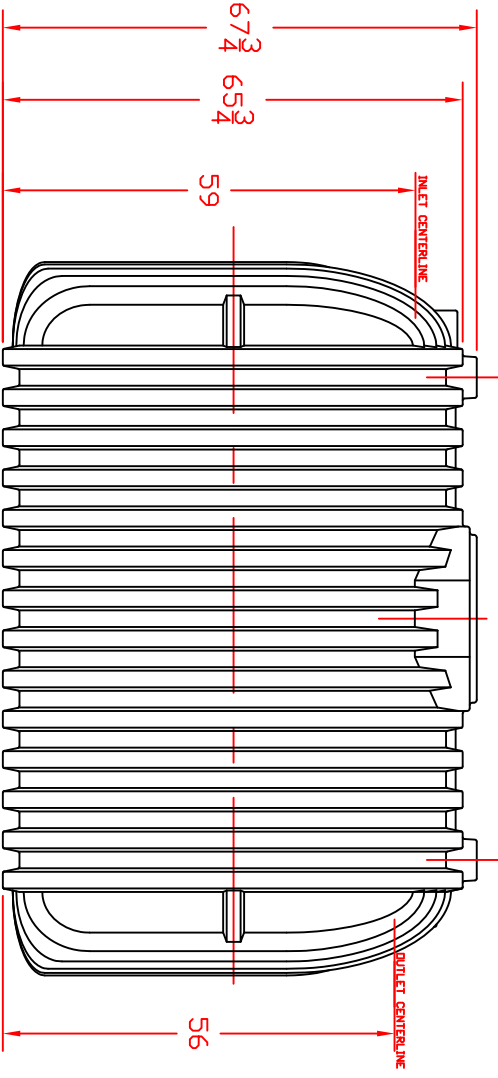
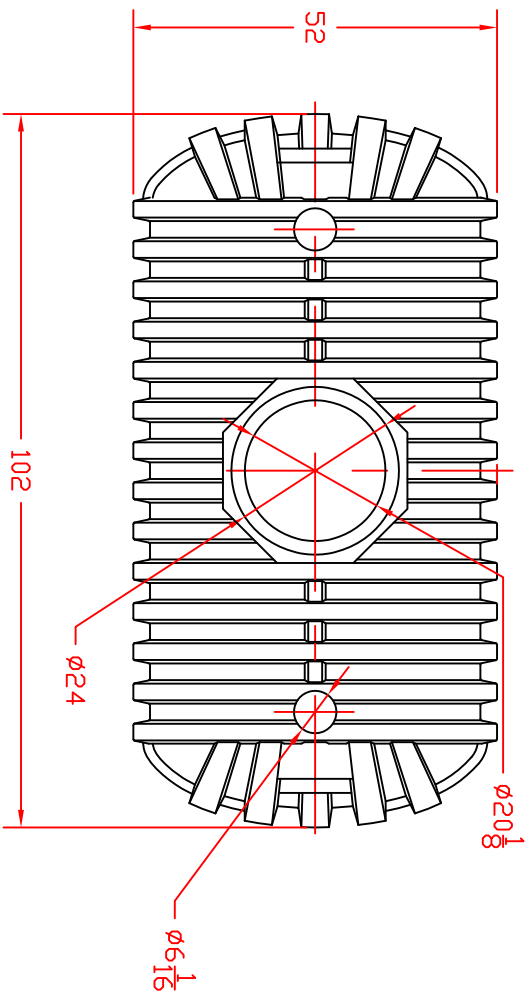


REVISIONS				
ZONE	REV	DESCRIPTION	DATE	APPROVED



		ST. BONIFACIUS, MN	
1000 GALLON 1-MANHOLE		SEPTIC TANK	
JTP	27JAN03	SIZE	B
SCALE 1/20		DWG NO.	REV
SHEET		REV	