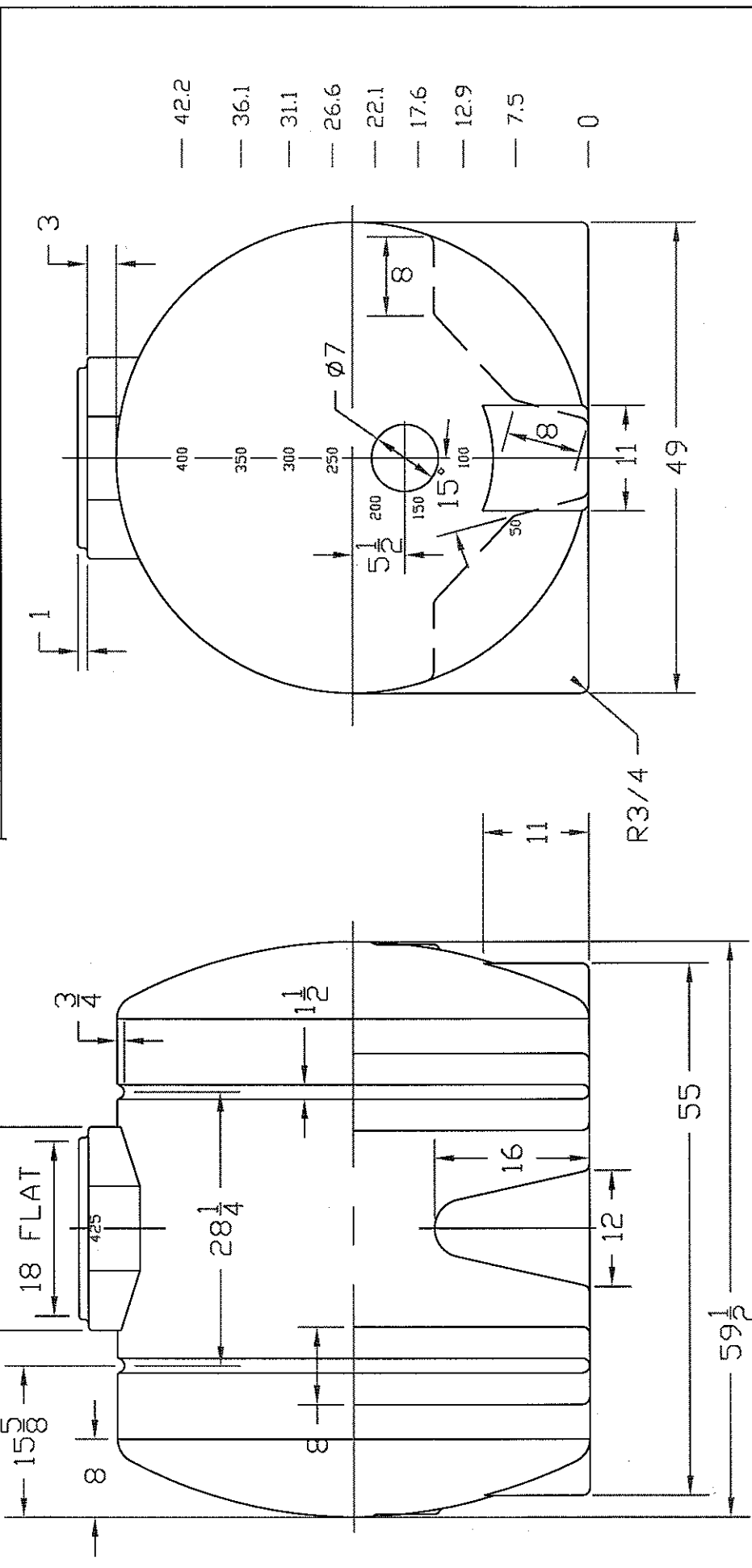


REVISIONS			
ZONE	REV	DESCRIPTION	DATE



NORWESCO
ST. BONIFACIUS, MN

425 GAL HORIZONTAL TANK

JTP 10JUL01

SCALE 1/16

SHEET

NOTE: GALLONAGE MARKS ONE END