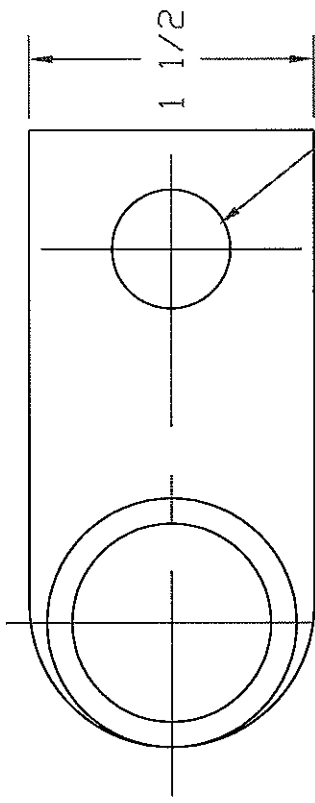
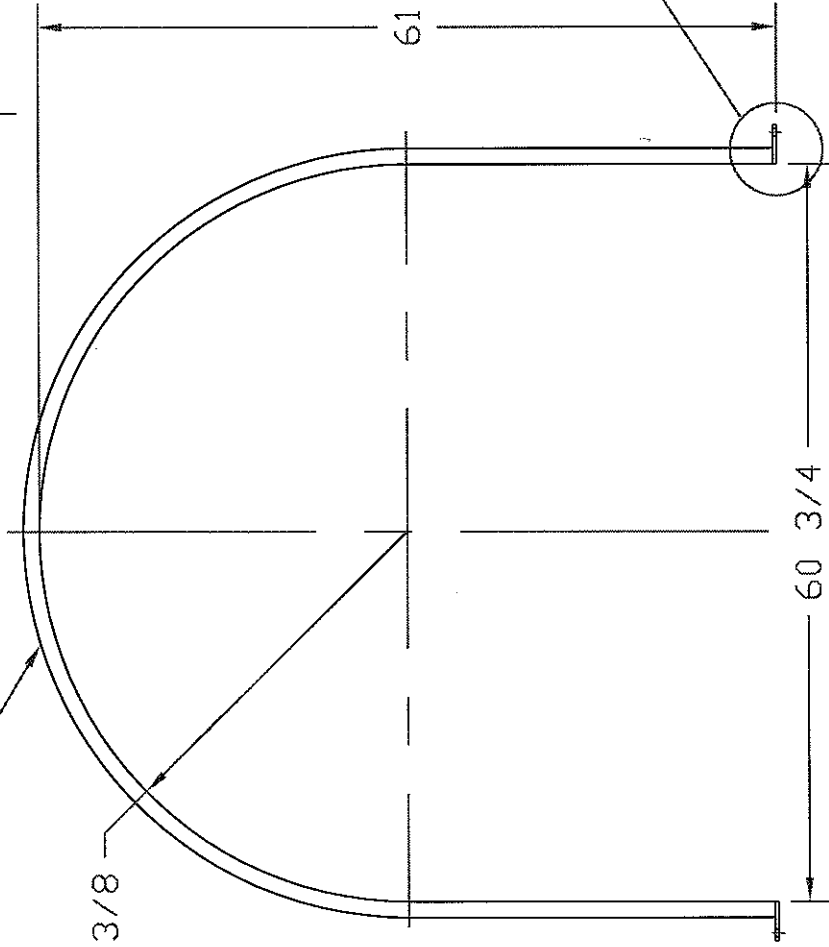


REVISIONS

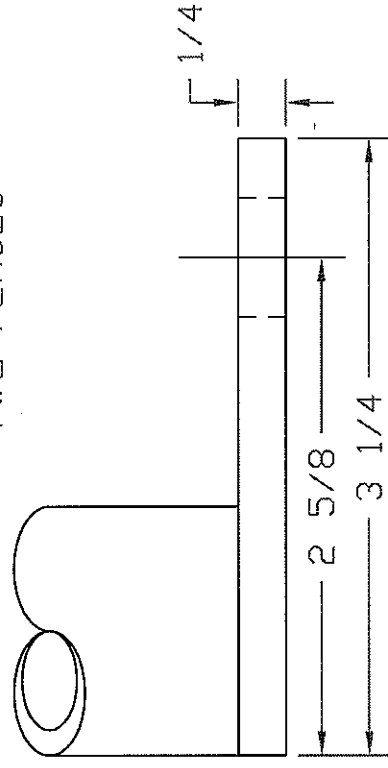
ZONE	REV	DESCRIPTION	DATE	APPROVED
	A	REDRAWN, WAS 1 1/4 PIPE	10SEP97	

1" BLACK PIPE

R30 3/8



5/8 DIA  
TWO PLACES



FULL SCALE DETAIL

**NORWESCO**  
ST. BONIFACIUS, MN

BAND, 1625 GALLON  
HORIZONTAL TANK

NOTE: WELD WITH LOW HYDROGEN ROD  
FINISH: HOT DIPPED GALVANIZED

JTP	10SEP97	SIZE	FSCM NO.	DWG NO.	REV
		A			
SCALE 1/16				SHEET	