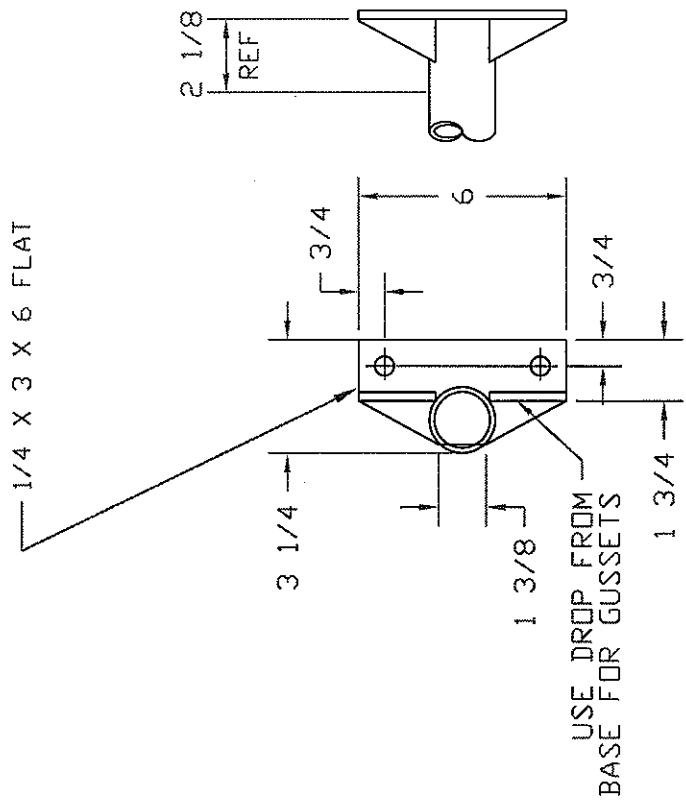
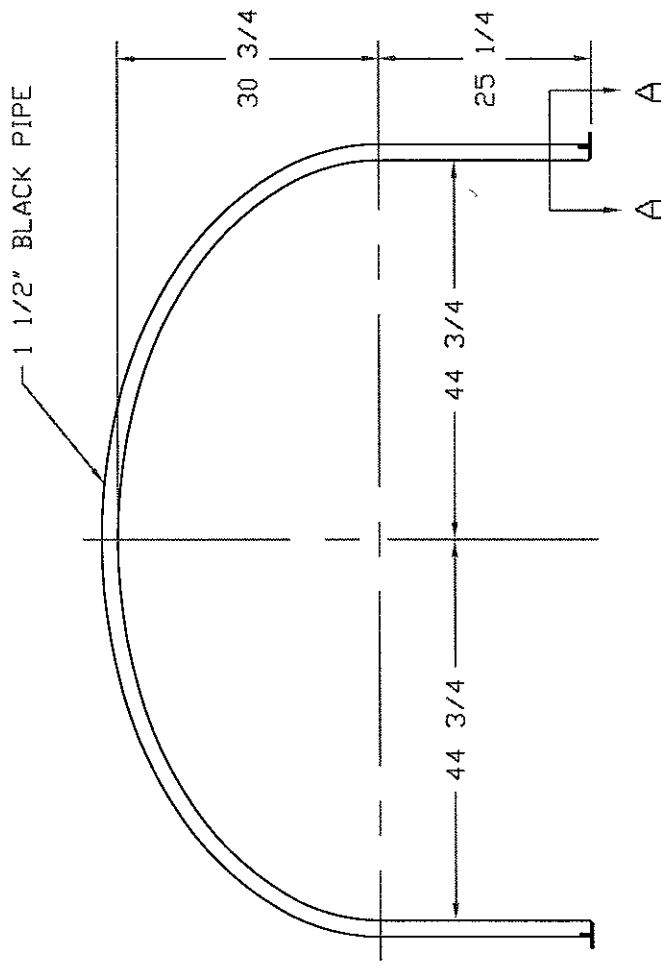


REVISIONS				
ZONE	REV	DESCRIPTION	DATE	APPROVED



VIEW A-A
1/4 SCALE

NORWESCO		ST. BONIFACIUS, MN	
SHORT BAND, 3210		DRAINABLE TANK	
JTP	14SEP00	SIZE B	FSCM NO.
SCALE 1/16		DWG NO.	REV
SHEET			SHEET