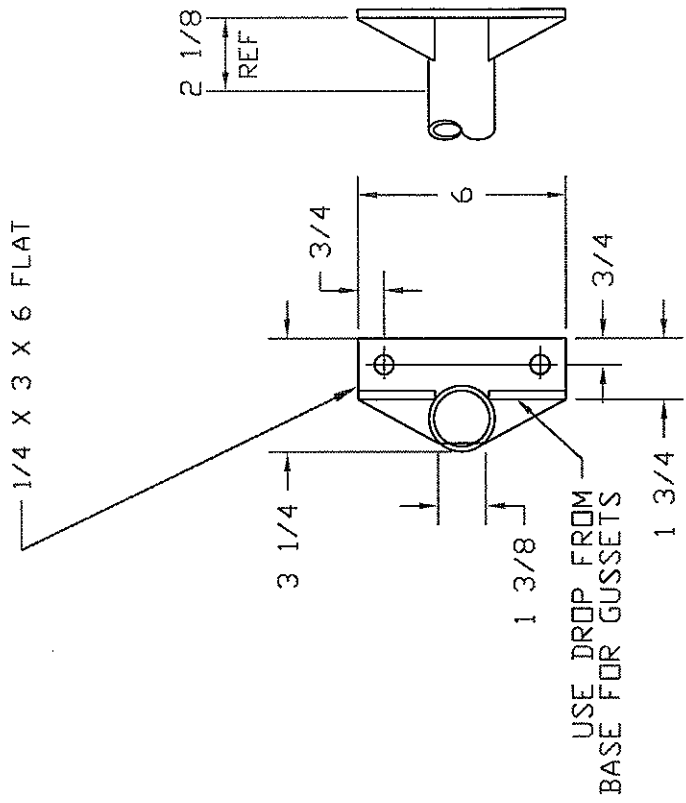
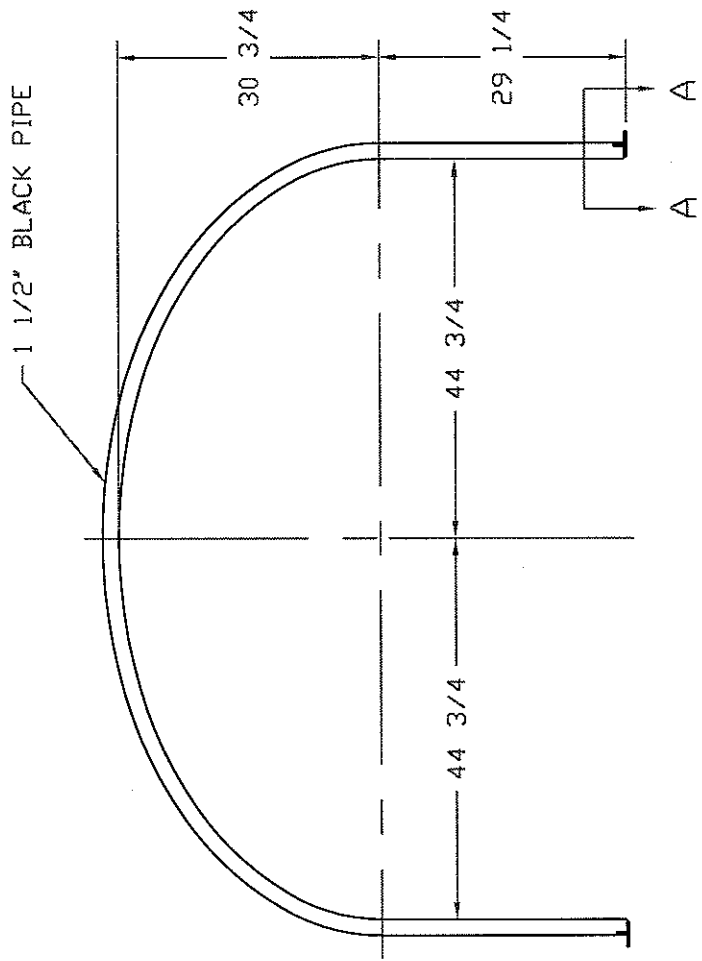


REVISIONS			
ZONE	REV	DESCRIPTION	DATE



VIEW A-A
1/4 SCALE

JTP 14SEP00	SIZE	FSCM NO.	DWG NO.	REV
	B			
	SCALE 1/16 SHEET			
NORWESCO ST. BONIFACIUS, MN LONG BAND, 3210 DRAINABLE TANK				