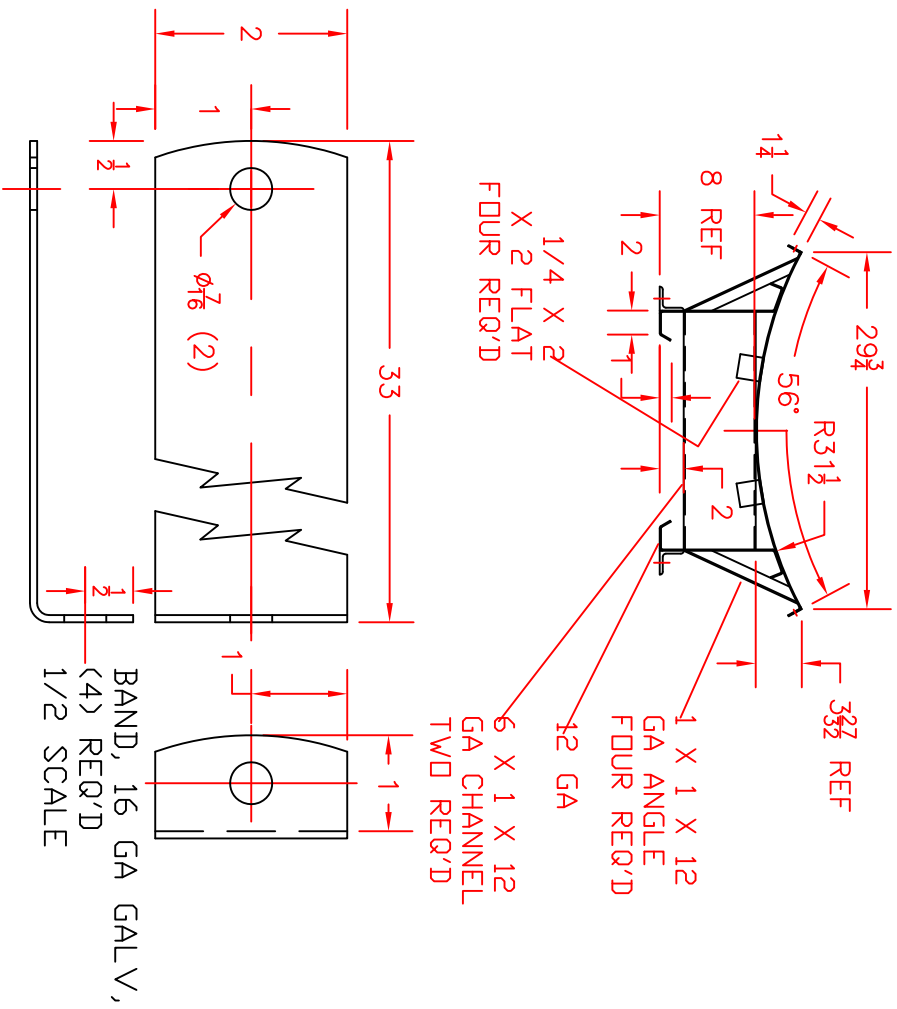
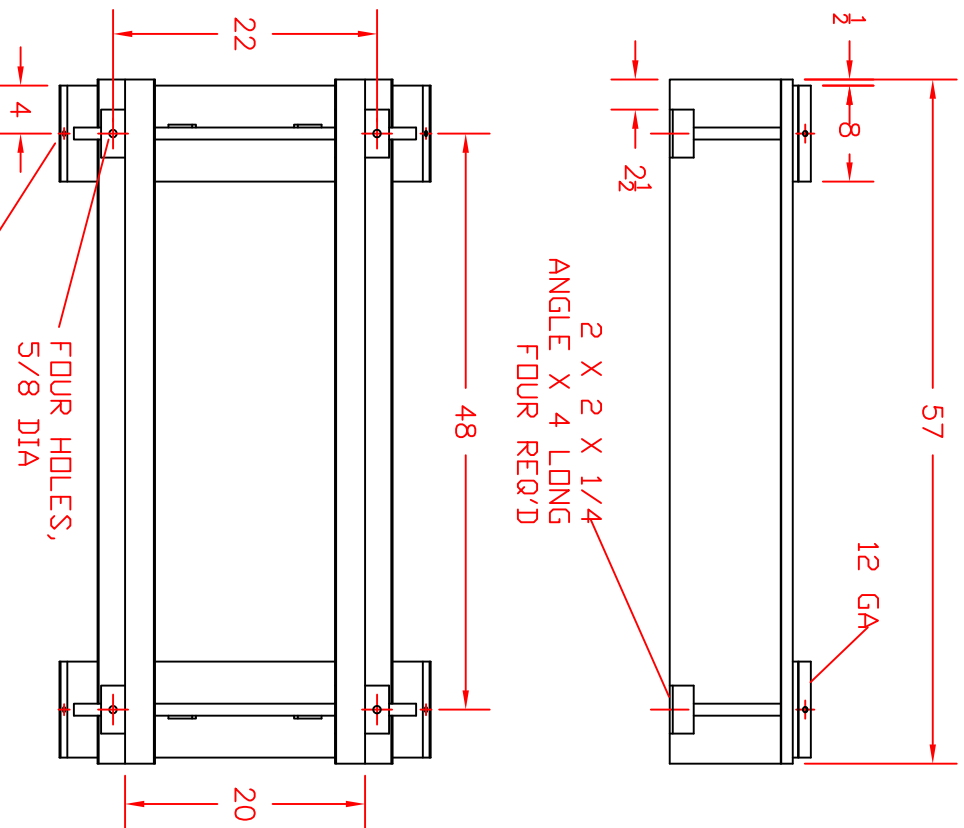


REVISIONS				
ZONE	REV	DESCRIPTION	DATE	APPROVED
	A	BAND WAS 1-PC, (2) REQ	26APR02	
	B	BAND REVISED & REDRAWN	08APR09	



FOUR HOLES,
5/8 DIA

FOUR HOLES,
7/16 DIA

29 3/4

14

8 REF

56°

R3 1/2

33 3/2 REF

1 X 1 X 12
GA ANGLE
FOUR REQ'D

12 GA

6 X 1 X 12
GA CHANNEL
TWD REQ'D

1/4 X 2
X 2 FLAT
FOUR REQ'D

BAND, 16 GA GALV,
(4) REQ'D
1/2 SCALE

NORWESCO
ST. BONIFACIUS, MN

200 ELLIPTICAL SKID

JTP	12SEP01	SIZE A	FSCM NO.	DWG NO.	REV B
		SCALE 1/16			SHEET