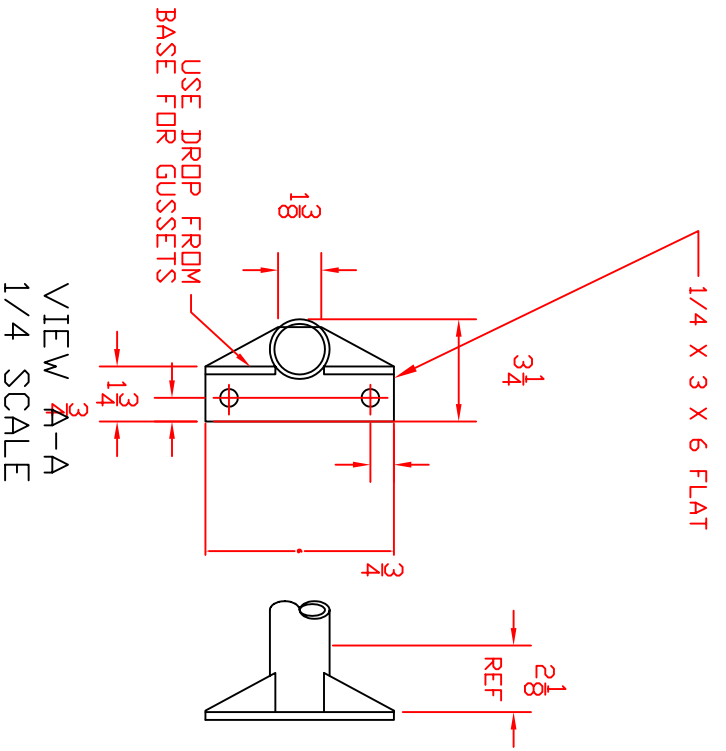
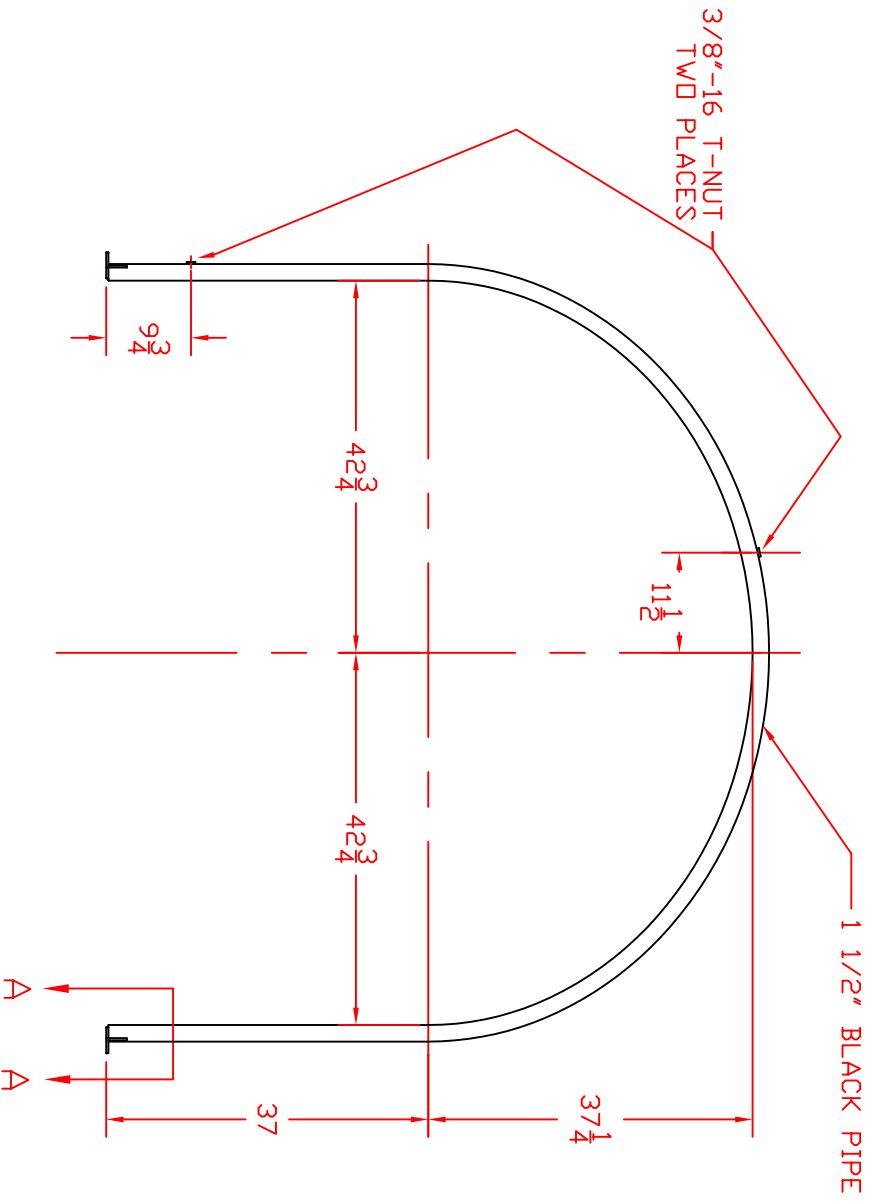


REVISIONS				
ZONE	REV	DESCRIPTION	DATE	APPROVED



**NORWESCO**  
ST. BONIFACIUS, MN

BAND, 3135 ELLIPTICAL  
TANK, WEST CDAST

JTP 13NOV07

SCALE 1/16

SIZE B

FORM NO.

DWG NO. 63620

SHEET

REV