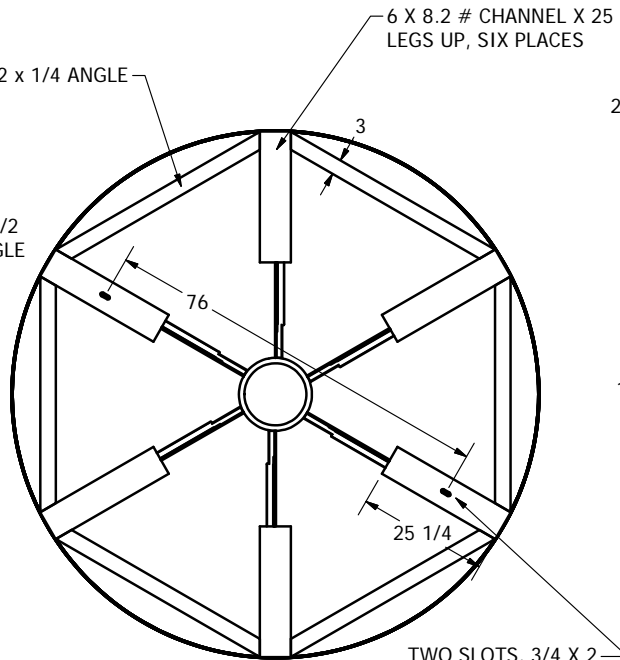
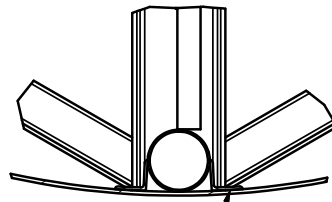
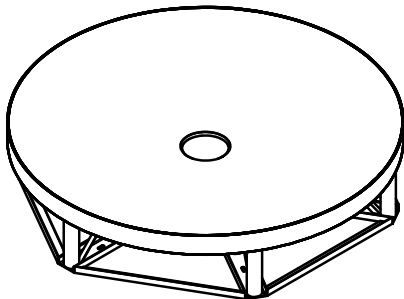
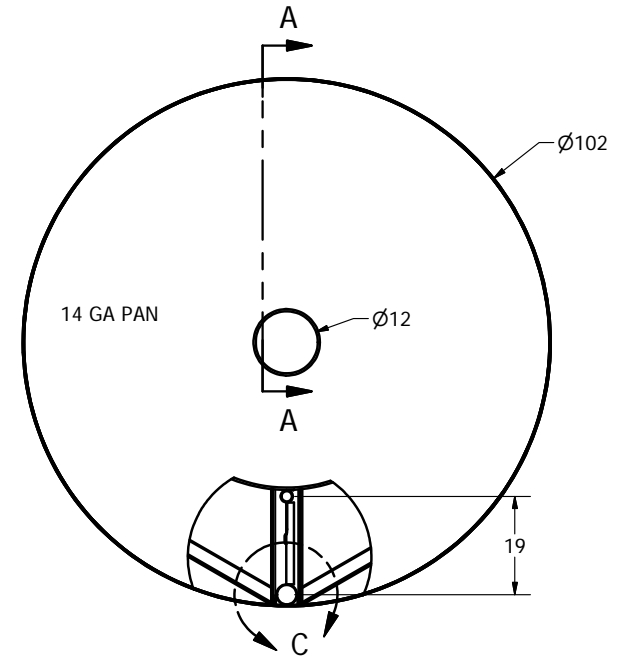
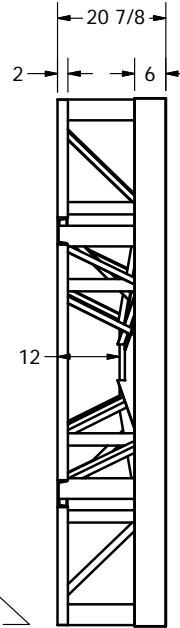


SECTION A-A
SCALE 1 / 24



TWO SLOTS, 3/4 X 2
FOR SHIPPING



2 x 2 x 3/16 x 4 ANGLES
DETAIL C
SCALE 1 / 8

FOB HANFORD, CA

DRAWN Jerry Paulson	7/22/2009
CHECKED	
QA	
MFG	
APPROVED	

NORWESCO

NORWESCO, INC., ST. BONIFACIUS, MN

TITLE

BASE WELDMENT FOR 4500/6000 X 102 X
10 DEG CONE BOTTOM TANK

SIZE B	DWG NO	REV
SCALE: 1/24		SHEET 1 OF 1